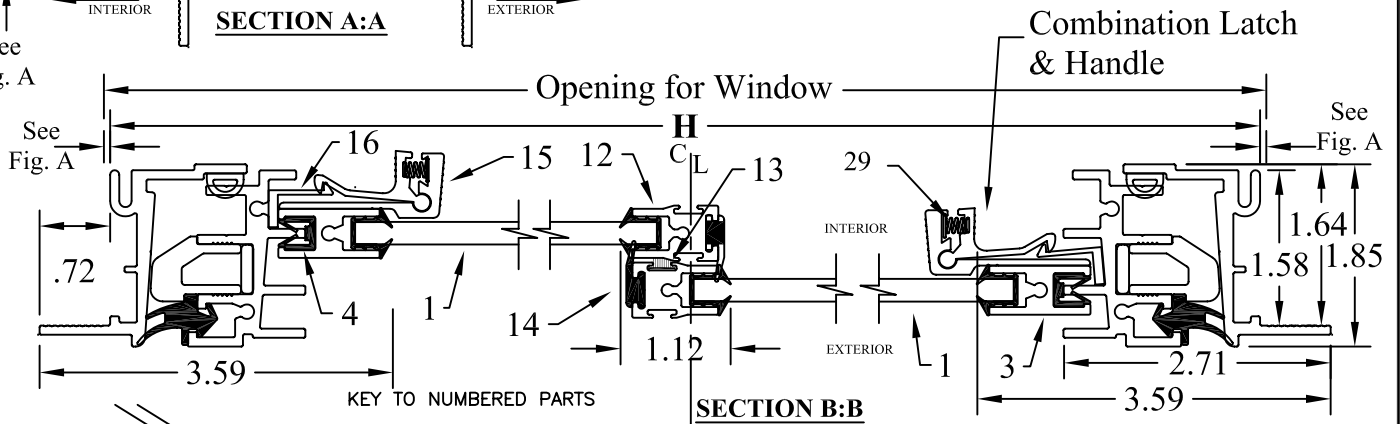
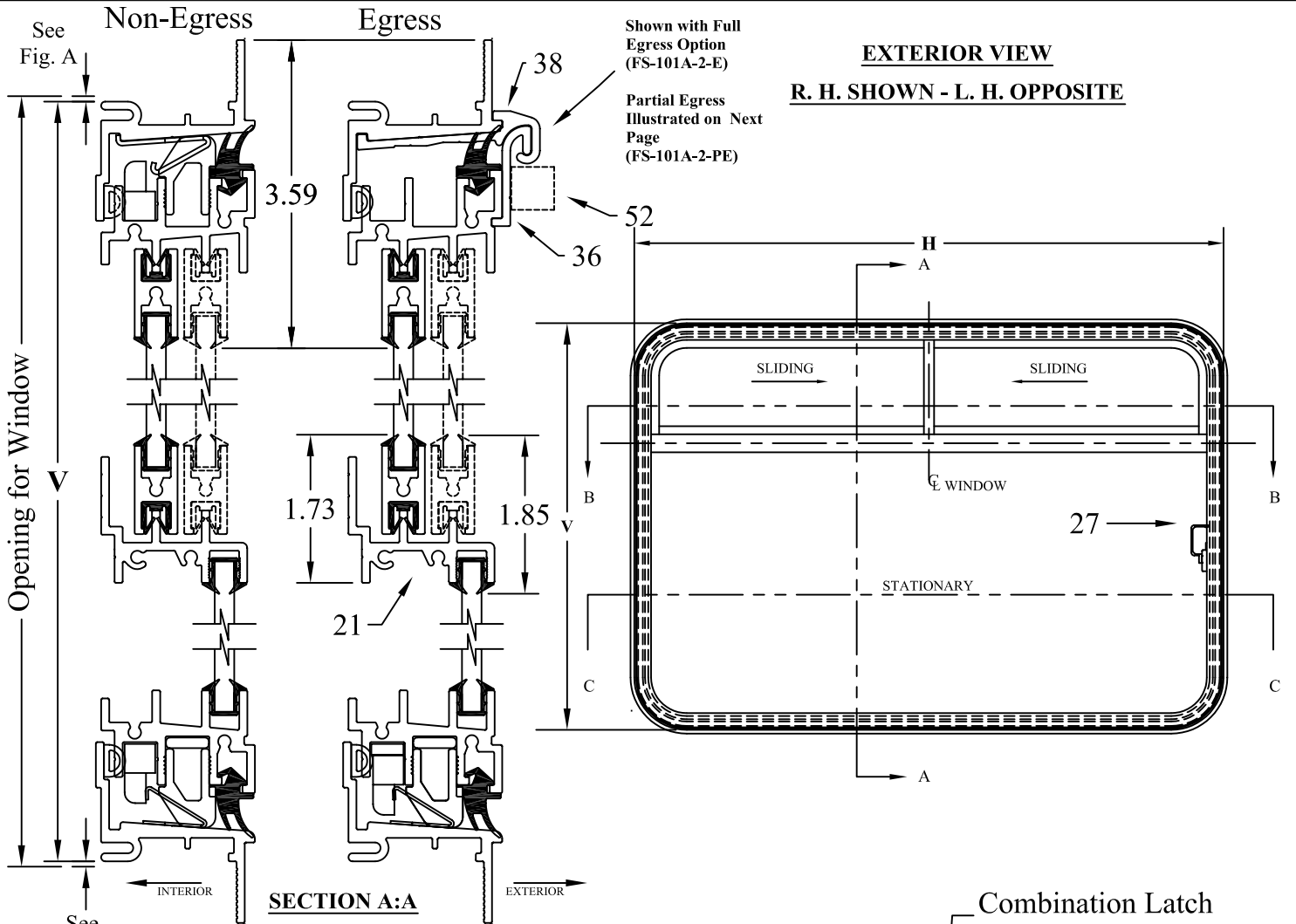


CLAMP RING-MOUNT FRAMED GLASS

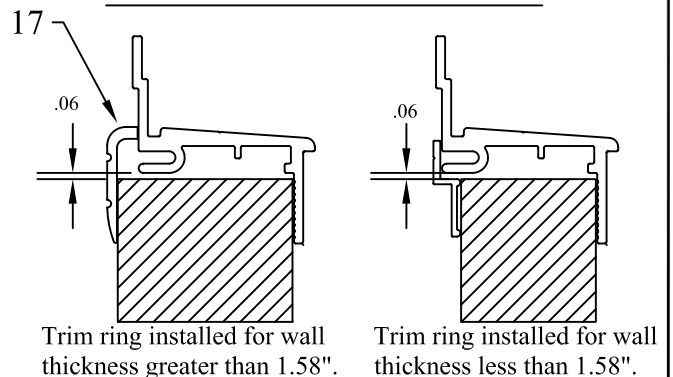
TOP T-SLIDER

FS-101 A



1. Sliding glass
 2. Vinyl glass channel
 3. Sliding glass frame-sash rail
 4. Felt slide channel
 5. Outer Frame
 6. Vehicle Wall
 7. Stationary glass
 12. Center Bar-Vertical
 13. Felt Pile Weather Seal
 14. Rubber Weather Seal
 15. WP2 Combination Latch & Handle
 16. Latch Keeper
 17. Trim Ring-Option
 21. Divider Bar-Horizontal
 27. Egress Handle
 28. Adapter Frame
 29. Latch Spring
 31. Frame Spacer
 32. Exterior Seal
 33. Latch Keeper
 34. Latch Release
 35. Interior Seal
- (Continued Next Page)

FIG. A
WINDOW OPENING CLEARANCES



Top T-Slider Window- Movable glass is mounted in a separate aluminum frame that slides within the outer frame. Easy operating combination handle latches and unlatches the sliders in the same motion used to open and close the window. Drain slots, where necessary, and weather seals keep wind and water outside. This window can be manufactured in various sizes and is available as Non-Egress, Full Egress, and Partial Egress.

ORDERING INFORMATION

GLAZING: 7/32" Blue-Gray Tint Laminated Safety Glass (Std) Tested to meet the requirements of FMVSS 205 & FMVSS 217
 Optional tints of 7/32" Laminated Glass- Clear, Lt. Green or Med. Gray Tint*

Optional Glazing: (FS-101 A Windows manufactured with glazings listed below have not been tested for FMVSS 217 and may not be utilized in any instance where FMVSS 217 is a required standard)
 3/16" Tempered Glass Light Green or Medium Gray Tint*
 1/4" Tempered Glass- Clear, Light Green or Med Gray Tint*
 3/16" or 1/4" Polycarbonate or Acrylic in various tints
 *Additional Tints available upon request

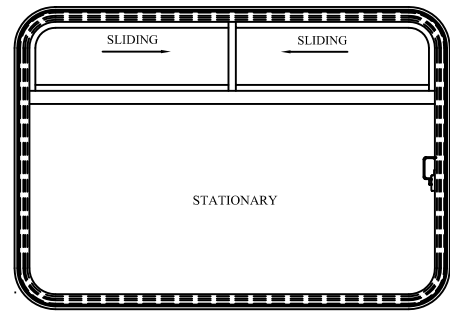
FRAME FINISH: Black Anodized (STD)

CORNER RADIUS: 4.75" (STD)
LATCH: WP2 Squeeze Latch Assembly (STD)

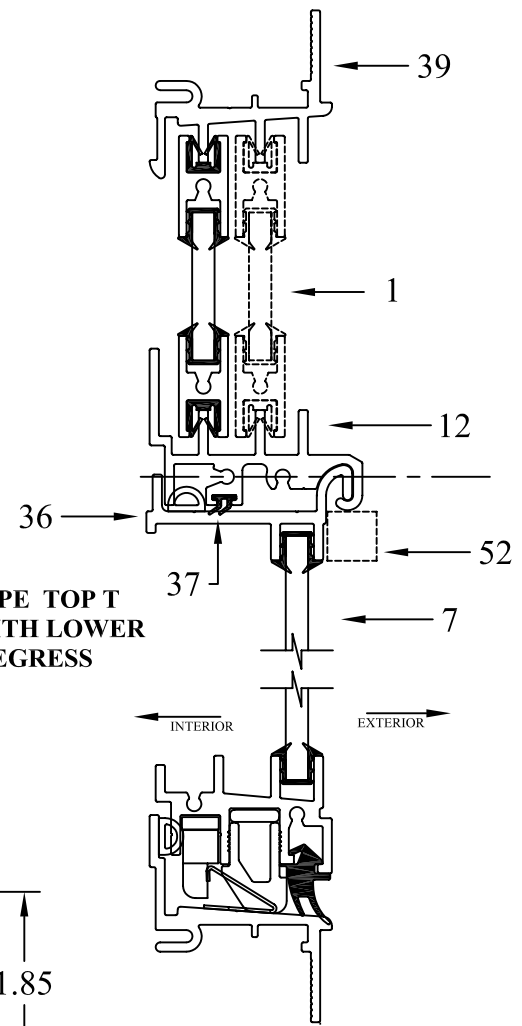
OTHER OPTIONS: Window may be manufactured as a Non-Egress, Full Egress, or Partial Egress window.

EXTERIOR VIEW

R. H. SHOWN - L. H. OPPOSITE



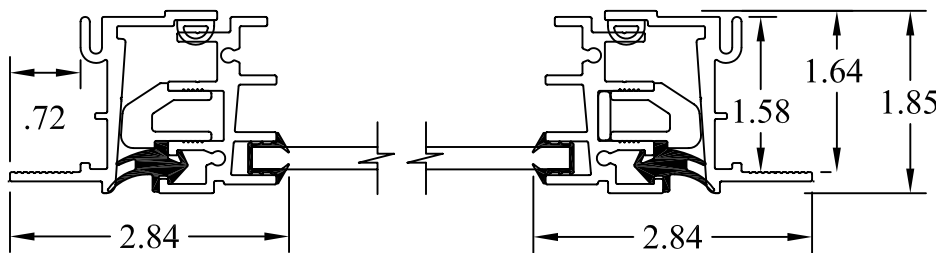
FS-101A-2E



FS-101 A-2-PE TOP T SLIDER WITH LOWER PORTION EGRESS

KEY TO NUMBERED PARTS (Con't)

- 35. Interior Seal
- 36. Egress Hinge Leaf
- 37. Rubber Seal
- 38. Egress Hinge
- 39. Upper Outer Frame-Partial Egress
- 51. Egress Slide Bar
- 52. Egress Window Stop



SECTION C:C

SECTION A:A

Transportation Products, Inc.
 P. O. Box 586
 Evergreen, Al 36401

Phone: (251) 578-1267
Fax: (251) 578-5213
E-mail: tpi@tpiwindows.com

FS-101 A