

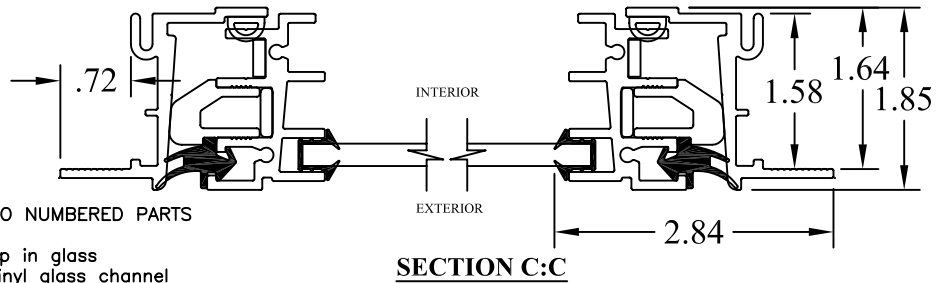
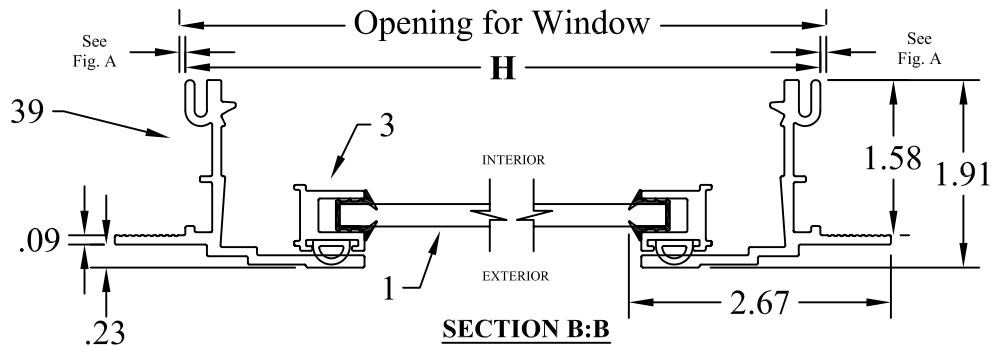
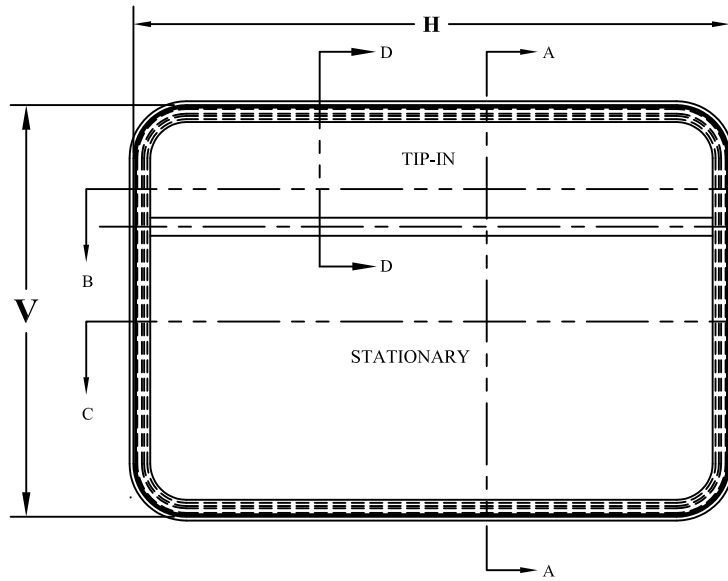
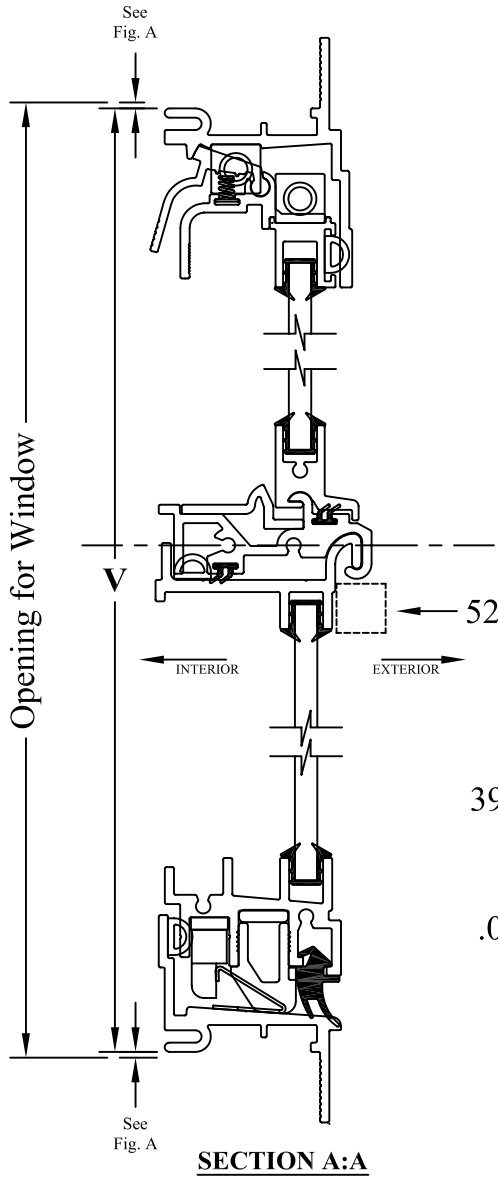
CLAMP RING-MOUNT FRAMED GLASS

TRANSOM
TIP-IN

FS-101 T

EXTERIOR VIEW

R. H. SHOWN - L. H. OPPOSITE



KEY TO NUMBERED PARTS

1. Tip in glass
2. Vinyl glass channel
3. Tip in glass frame
5. Outer Frame
6. Vehicle Wall
7. Stationary glass
12. Center Bar—Horizontal
14. Rubber Flap Seal
15. WP60 Combination Latch & Handle
17. Trim Ring
27. Egress Handle
28. Adapter Frame
29. Latch Spring
31. Frame Spacer
32. Exterior Seal
33. Latch Keeper
34. Latch Release
35. Interior Seal
36. Egress Hinge Leaf
37. Rubber Seal
39. Transom Adapter Frame
40. Lower Transom Frame
41. Tip In Frame Stop
42. Spring Loaded Cylinder
51. Egress Slide Bar
52. Egress Window Stop

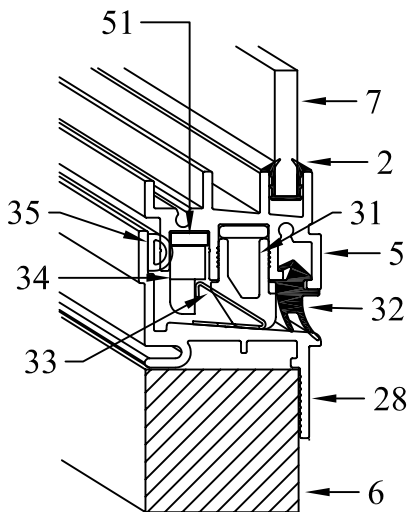
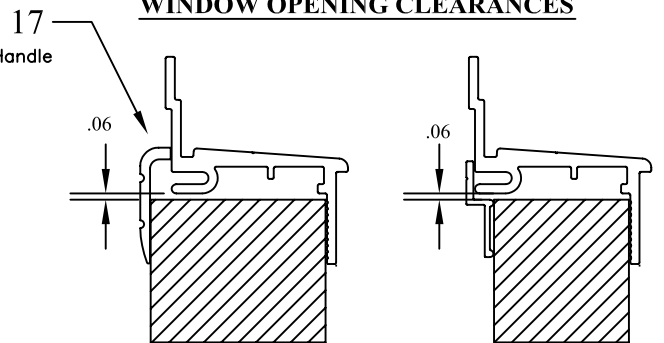


FIG. A WINDOW OPENING CLEARANCES



Trim ring installed for wall thickness greater than 1.58".

Trim ring installed for wall thickness less than 1.58".

Transom Tip In - Fixed glass is mounted in a separate aluminum frame that tilts the transom portion of the window to the interior of the vehicle for ventilation. Easy operating combination handle latches and unlatches the Tip In portion of the window. Spring loaded cylinders hold the Tip In portion firmly open, eliminating potential rattles. Drain slots, where necessary, and weather seals keep wind and water outside. This window can be manufactured in various sizes and is available as Non-Egress or Partial Egress.

ORDERING INFORMATION

GLAZING: 7/32" Blue-Gray Tint Laminated Safety Glass (Std) Tested to meet the requirements of FMVSS 205 & FMVSS 217
 Optional tints of 7/32" Laminated Glass- Clear, Lt. Green or Med. Gray Tint*

Optional Glazing: (FS-101 Windows manufactured with glazings listed below have not been tested for FMVSS 217 and may not be utilized in any instance where FMVSS 217 is a required standard)

- 3/16" Tempered Glass Light Green or Medium Gray Tint*
- 1/4" Tempered Glass- Clear, Light Green or Med Gray Tint*
- 3/16" or 1/4" Polycarbonate or Acrylic in various tints
- *Additional Tints available upon request

FRAME FINISH: Black Anodized (STD)

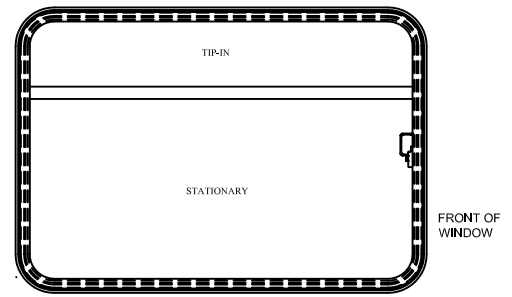
CORNER RADIUS: 4.75" (STD)

LATCH: WP60 Squeeze Latch Assembly (STD)

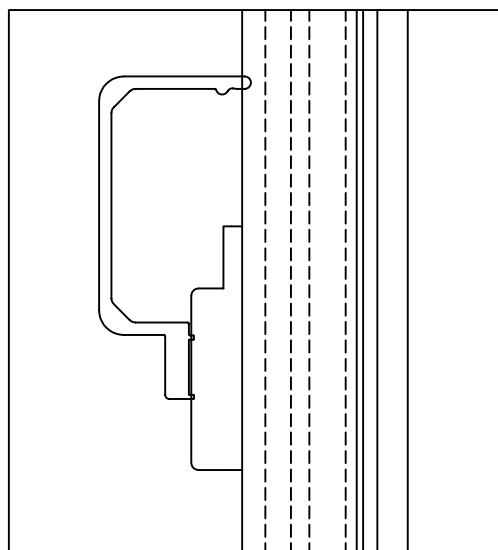
OTHER OPTIONS: Window may be manufactured as a Non-Egress, Full Egress, or Partial Egress window.

EXTERIOR VIEW

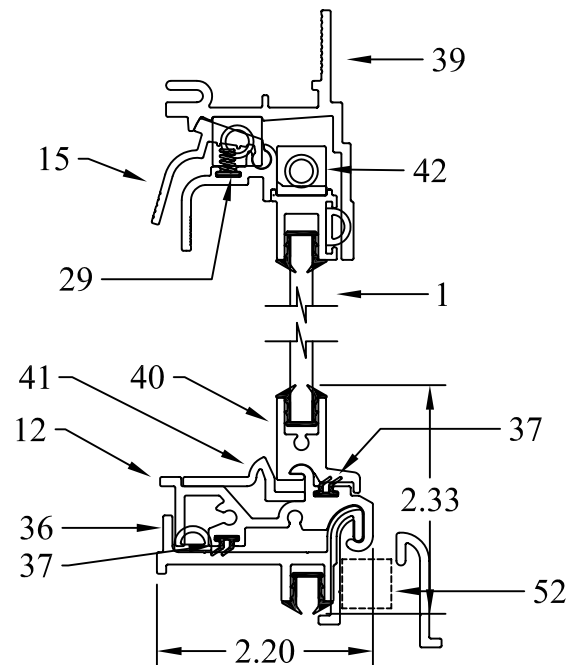
R. H. SHOWN - L. H. OPPOSITE



FS-101 T-2



Emergency Escape Release Handle
 (See item 47 in Photo under Window Parts Section)



SECTION D:D

Transportation Products, Inc.
 P. O. Box 586
 Evergreen, Al 36401

Phone: (251) 578-1267
Fax: (251) 578-5213
E-mail: tpi@tpiwindows.com

FS-101 T