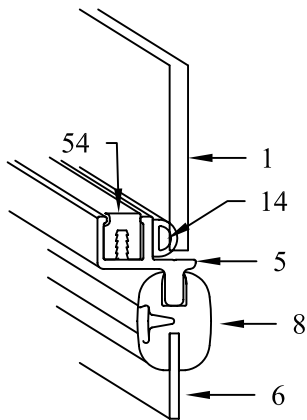
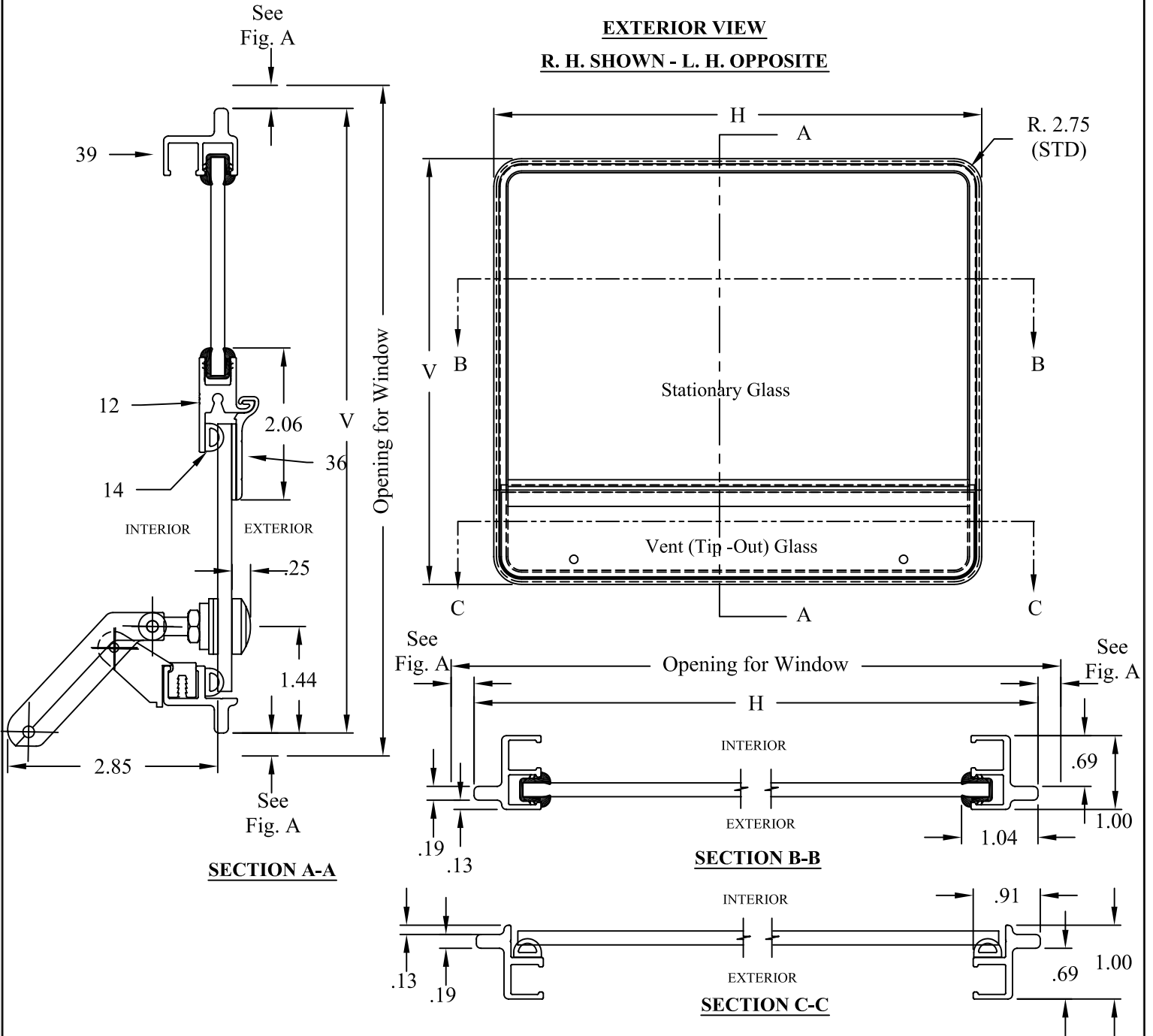


RUBBER MOUNT UNFRAMED GLASS

HINGED LOWER VENT WINDOW

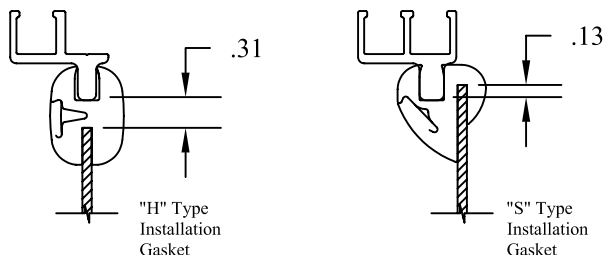
FS-103

EXTERIOR VIEW
R. H. SHOWN - L. H. OPPOSITE



- KEY TO NUMBERED PARTS**
1. Vent glass
 5. Outer Frame
 6. Vehicle Wall
 8. Installation Gasket (H Type)
 12. Center Bar—Horizontal
 14. Rubber Seal
 36. Hinge Leaf
 39. Upper Outer Frame
 47. Overcenter Latch
 54. Latch Mounting Block

FIG. A
WINDOW OPENING CLEARANCES

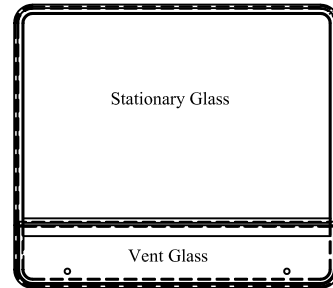


Recommended clearance between window assembly and body opening. Clearances will vary from supplier to supplier. These types of installation gaskets, with clearances shown, can be supplied with windows upon request.

Window frame is mounted to vehicle body panel with an extruded rubber installation gasket. Stationary glass is installed in the upper portion of the window. Movable glass, hinged at the crossbar, opens outward with an easy operating overcenter latch. Drain slots, where necessary, and weather seals keep wind and water outside. This window can be manufactured in various shapes and sizes.

EXTERIOR VIEW

R. H. SHOWN - L. H. OPPOSITE



FS-103-2

ORDERING INFORMATION

GLAZING: 3/16" Clear Tempered Safety Glass (Std)

Options:

3/16" Tempered Glass Light Green or Medium Gray Tint*

1/4" Tempered Glass- Clear, Light Green or Med Gray Tint*

3/16" or 1/4" Polycarbonate or Acrylic in various tints

*Additional Tints available upon request

FRAME FINISH: Flex Black (STD)

CORNER RADIUS: 2.75" (STD)

Optional Radii:
2.00"
2.25"
3.00"

LATCH: Over Center Latch (STD)

