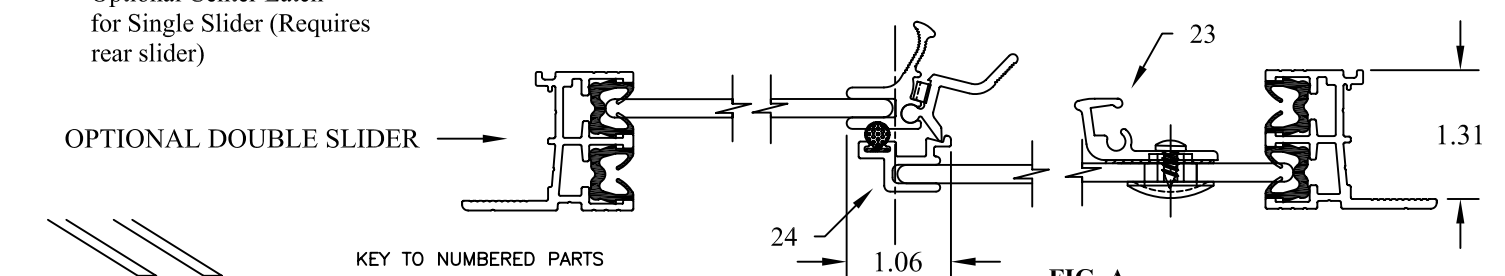
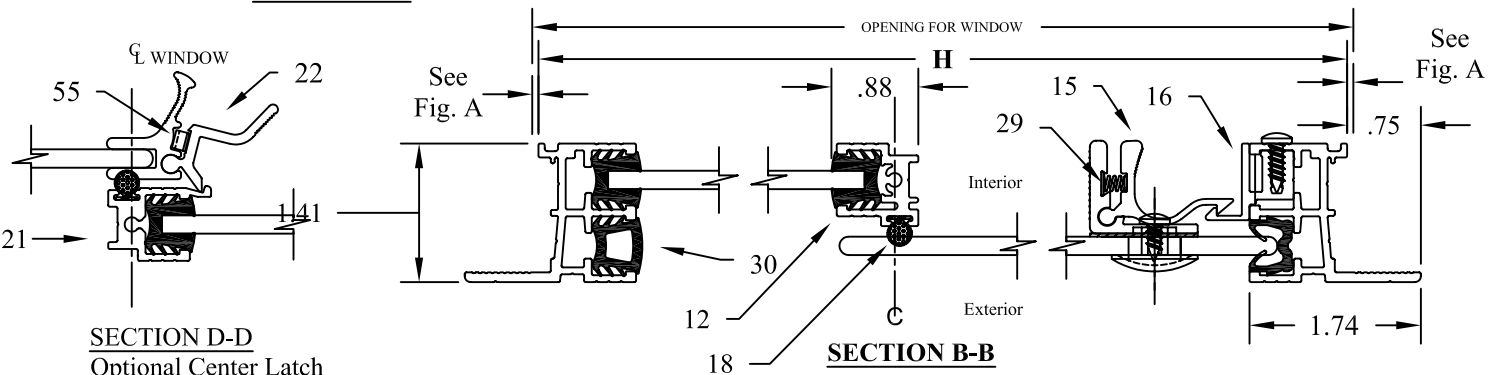
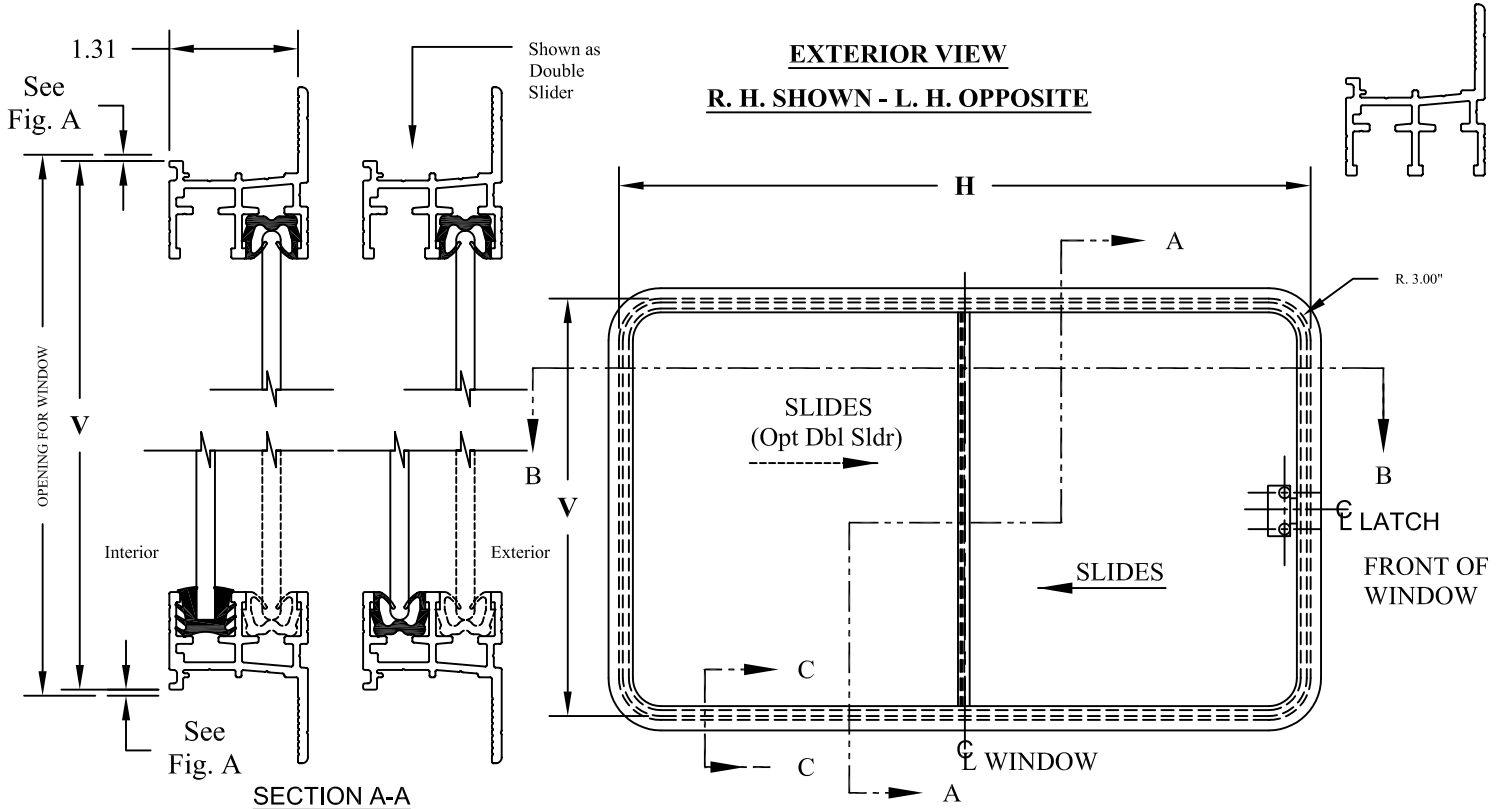


CLAMP RING / FLANGE-MOUNT UNFRAMED GLASS

FIXED,
SINGLE OR DOUBLE
SLIDING WINDOW

FS-104

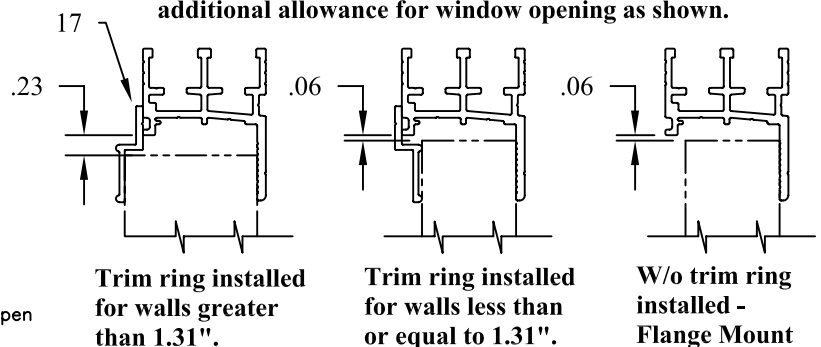


KEY TO NUMBERED PARTS

1. Sliding glass
2. Vinyl glass channel
4. Felt slide channel
5. Outer Frame
6. Vehicle Wall
7. Stationary glass
12. Vertical End Rail
15. WP50 Combo Latch/Handle
16. Latch Keeper
17. Trim Ring-Option
18. Vert. Weather Seal
21. Vert. End Rail
22. Ctr Squeeze Latch, Opt
23. Pull Handle, Dbl Slidr
24. Latch Rail Dbl Slidr
29. Latch Spring
30. Fill Rubber
55. Latch Leaf Spring
60. WP51 Combo Latch w/hold open
61. Latch keeper/Hold open

WINDOW OPENING CLEARANCES

Selection of optional interior trim ring requires additional allowance for window opening as shown.



Versatile window which can be installed as a clamp mount or flange mount, and can be manufactured as a fixed pane, single slider or double slider. Sliding glass moves in a felt lined channel. Optional center latch is available on the single slider and is standard on the double slider. Drain holes, where necessary, and weather seals keep wind and water outside. This window is manufactured in various shapes, sizes, and sliding configurations.

EXTERIOR VIEW

R. H. SHOWN - L. H. OPPOSITE

ORDERING INFORMATION

STANDARD GLAZING: 4mm Clear Tempered Safety Glass

Options:

- 4 mm Light Green or Medium Gray Tint Tempered Safety Glass*
- 3/16" Clear, Light Green, or Medium Gray Tint Tempered Safety Glass*
- 3/16" Polycarbonates and Acrylics in various tints

*Additional tints available upon request

FRAME FINISH: Flex Black Paint (STD)

Option: Clear Anodized

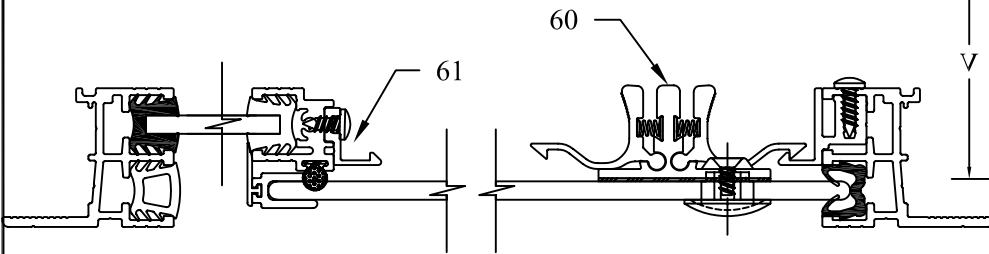
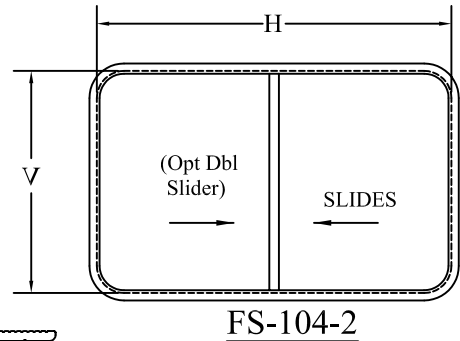
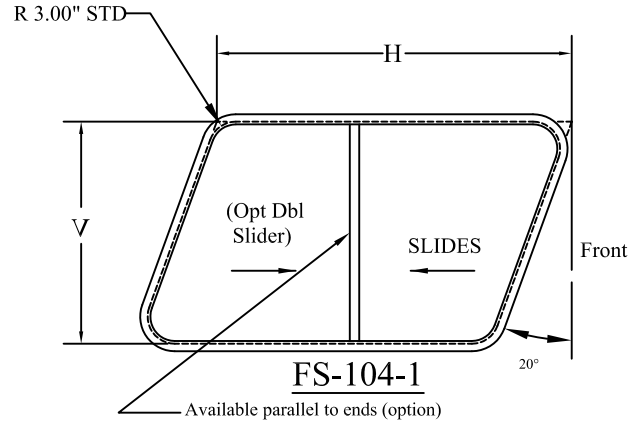
CORNER RADIUS: 3.00" (STD)

Options:
3.89"

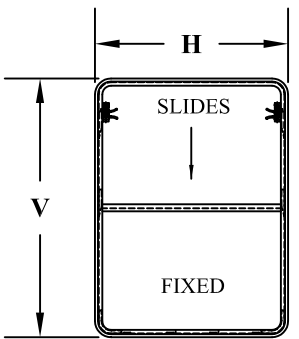
LATCH: WP50 Combination Latch/Handle (STD on Single Slider)
Center Latch (STD on Double Slider)
Rack & Ratchet Latch (STD on Vertical Slider)

Options:

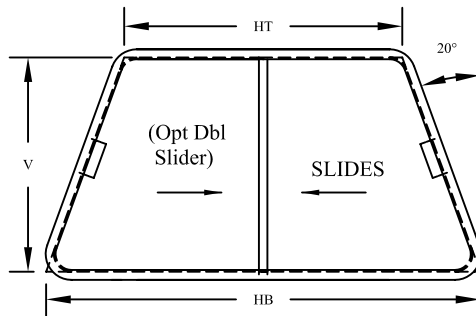
- Center Latch- Single Slider
- WP51 Combo Latch & Handle with hold open -Single Slider



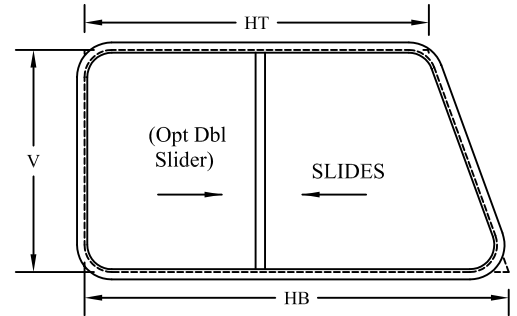
SECTION B-B (Shown with WP51 Latch with hold open)



FS-104V-2



FS-104-5



FS-104-4

Transportation Products, Inc.
P. O. Box 586
Evergreen, Al 36401

Phone: (251) 578-1267
Fax: (251) 578-5213
E-mail: tpi@tpiwindows.com

FS-104