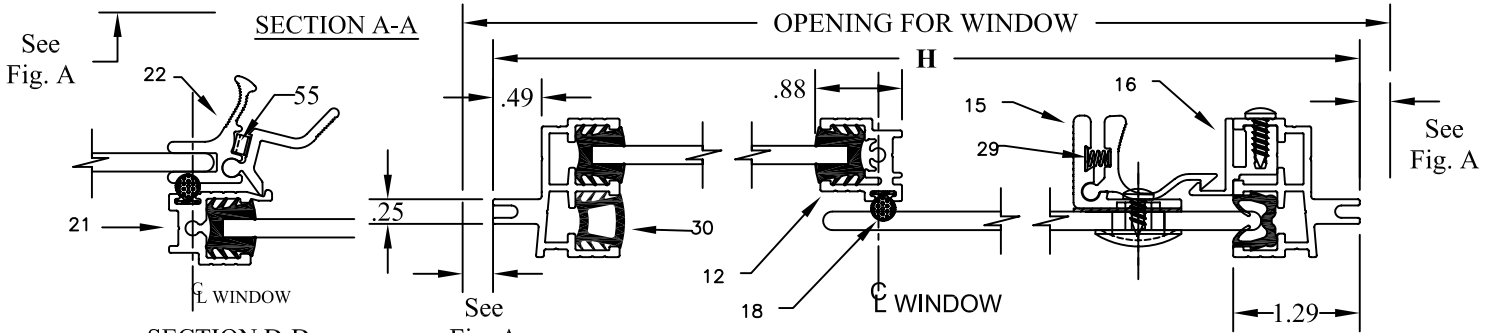
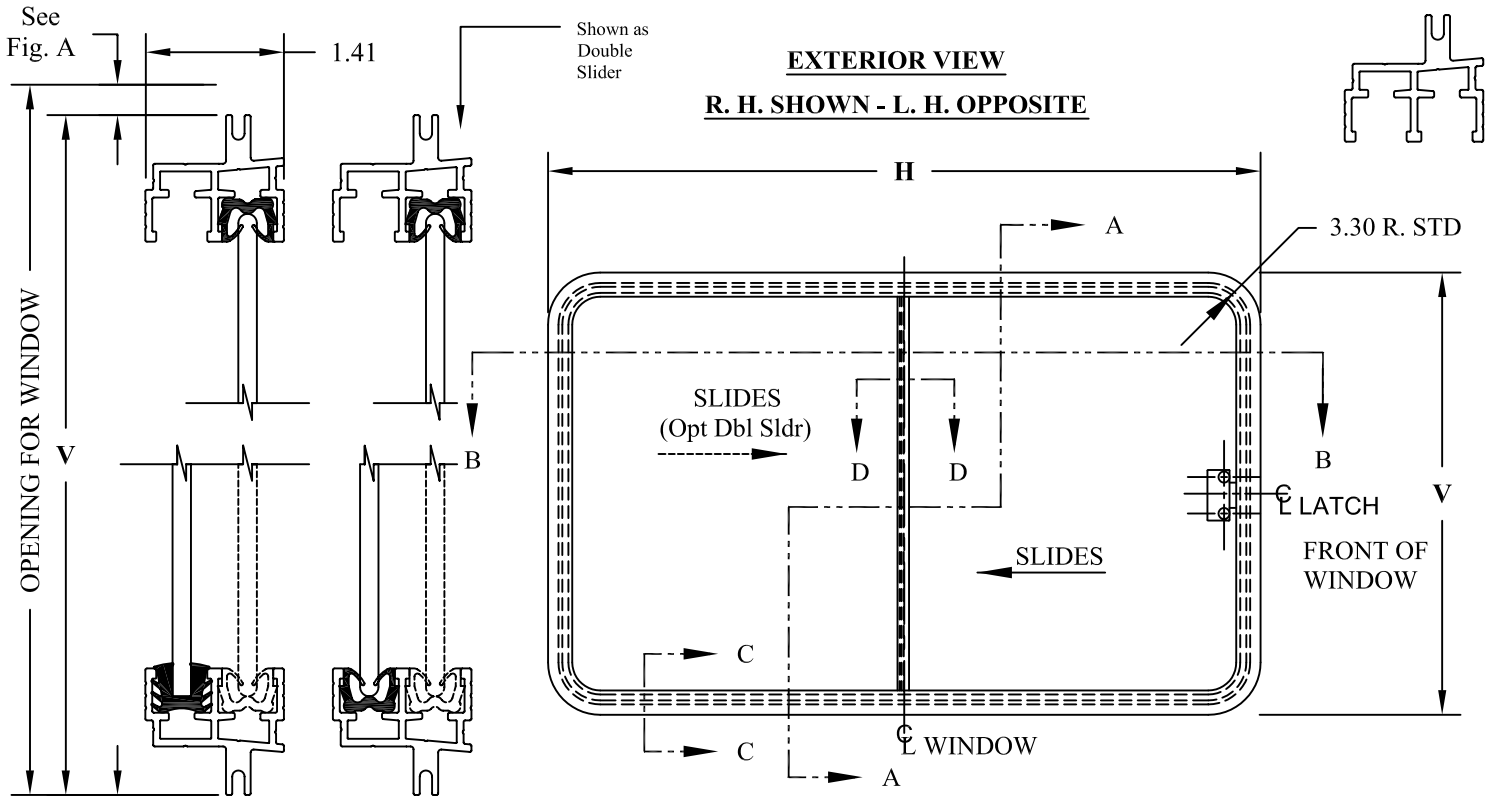


RUBBER-MOUNT UNFRAMED GLASS

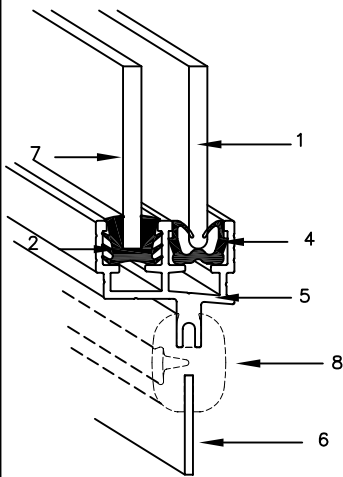
FIXED,
SINGLE OR DOUBLE
SLIDING WINDOW

FS-105



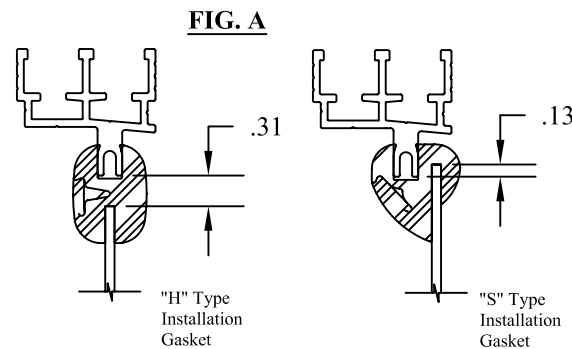
SECTION D-D
Optional Center Latch
for Single Slider
(Requires rear slider)

OPTIONAL DOUBLE SLIDER



KEY TO NUMBERED PARTS

1. Sliding glass
2. Vinyl glass channel
4. Felt slide channel
5. Outer Frame
6. Vehicle Wall
7. Stationary glass
8. Installation Gasket (H Type)
12. Vertical End Rail
15. WP50 Combination Latch
16. Latch Keeper
18. Vert. Weather Seal
21. Vertical End Rail
22. Ctr Latch, Opt
23. Pull Handle, Dbl Slidr
24. Latch Rail, Dbl Slidr
29. Latch Spring
30. Fill Rubber
55. Latch Leaf Spring



Recommended clearance between window assembly and body opening. Clearances will vary from supplier to supplier. These types of installation gaskets, with clearances shown, can be supplied with windows upon request.

FS-105 WINDOW FEATURES

STANDARD SHAPES

Versatile rubber mount window which can be manufactured as a fixed pane, single slider or double slider. Sliding glass moves in a felt lined channel. Optional center latch is available on the single slider and is standard on the double slider. Drain holes, where necessary, and weather seals keep wind and water outside. This window is manufactured in various shapes, sizes, and sliding configurations.

ORDERING INFORMATION

STANDARD GLAZING: 4mm Clear Tempered Safety Glass

Options:

- 4 mm Light Green or Medium Gray Tint Tempered Safety Glass*
- 3/16" Clear, Light Green, or Medium Gray Tint Tempered Safety Glass*
- 3/16" Polycarbonates and Acrylics in various tints
- *Additional tints available upon request

FRAME FINISH: Clear Anodized (STD)

Options:

- Flex Black Painted

CORNER RADIUS: 3.30" (STD)

Options:

- 4.19"

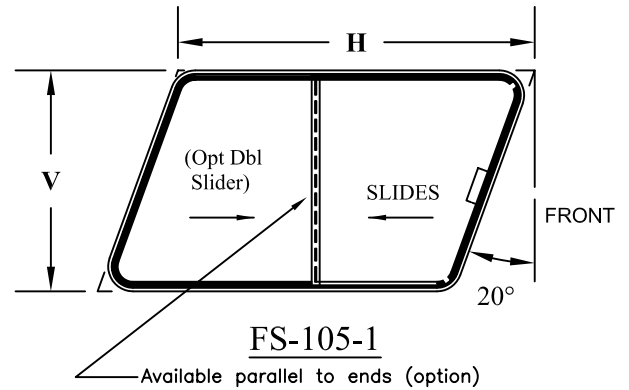
LATCH: WP50 Combination Latch/Handle (STD on Single Slider)
Center Latch (STD on Double Slider)
Rack & Ratchet Latch (STD on Vertical Slider)

Options:

- Center Squeeze Latch- Single Slider
- WP51 Combo Latch/Handle with hold open
- (See FS-104 for illustration of WP51 Combo Latch)

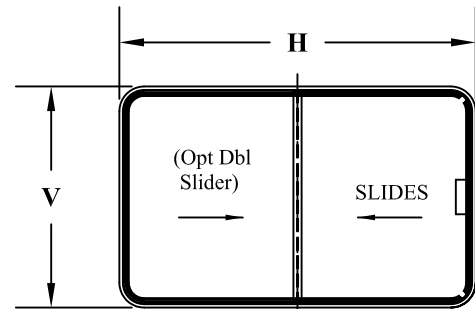
EXTERIOR VIEW

R. H. SHOWN - L. H. OPPOSITE

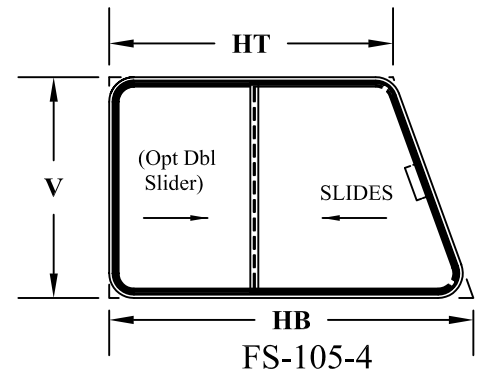


FS-105-1

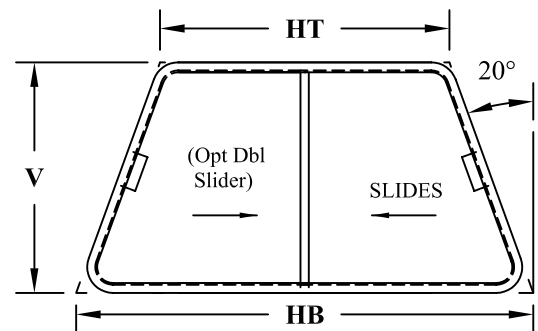
Available parallel to ends (option)



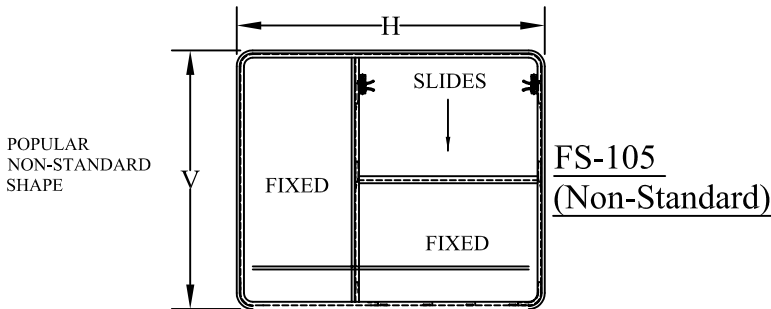
FS-105-2



FS-105-4

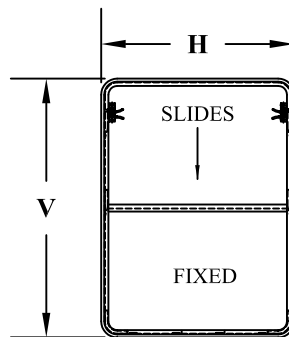


FS-105-5



FS-105
(Non-Standard)

POPULAR
NON-STANDARD
SHAPE



FS-105V-2

Transportation Products, Inc.
P. O. Box 586
Evergreen, Al 36401

Phone: (251) 578-1267
Fax: (251) 578-5213
E-mail: tpi@tpiwindows.com

FS-105