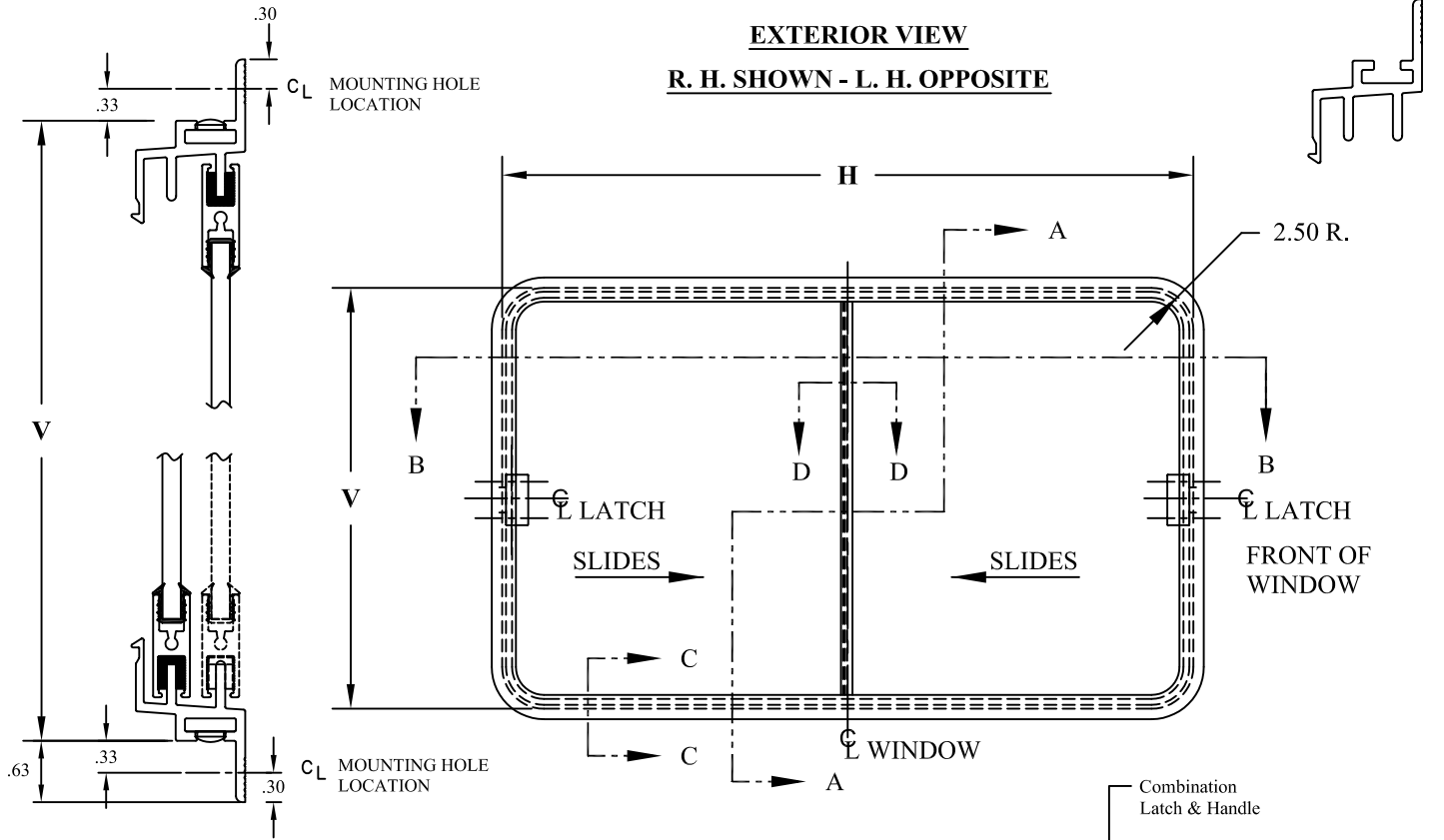


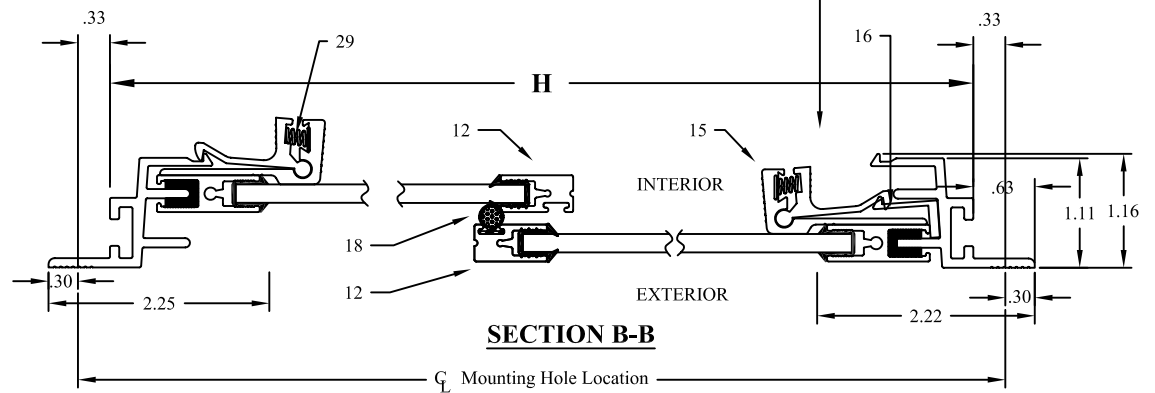
# FLANGE-MOUNT FRAMED GLASS

DOUBLE  
SLIDING WINDOW

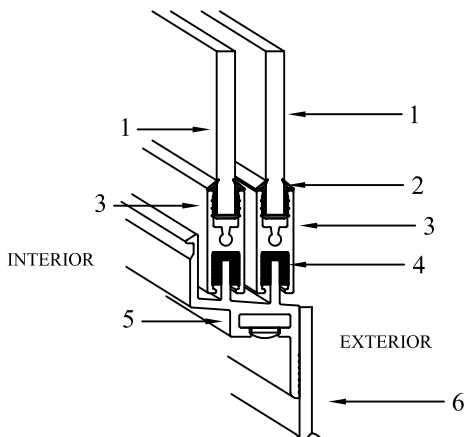
# FS-111



**SECTION A-A**

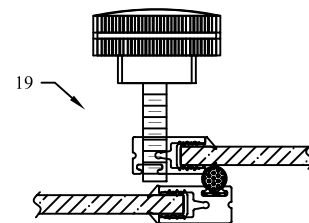


**SECTION B-B**



**KEY TO NUMBERED PARTS**

1. Sliding glass
2. Vinyl glass channel
3. Sliding glass frame - sash rail
4. Felt slide channel
5. Outer Frame
6. Vehicle Wall
12. Vertical Sash Rail
15. WP2 Combination Latch & Handle
16. Latch Keeper
18. Vertical Weather Seal
19. Friction Lock Assembly
21. Vertical Sash End Rail
29. Latch Spring



**SECTION D-D  
FRICTION LOCK  
MOUNTING**

# FS-111 WINDOW FEATURES

# STANDARD SHAPES

Window is designed to mount on the interior surface of the vehicle wall. Movable glass is mounted in a separate aluminum frame that slides within the outer frame. Easy operating handle latches the window in same motion with which it is opened and closed. Weather seals keep wind and water outside. This window can be manufactured in various shapes, sizes, and sliding configurations.

## ORDERING INFORMATION

**STANDARD GLAZING:** 3/16" Clear Tempered Safety Glass

**Options:**

- 3/16" Light Green or Medium Gray Tint Tempered Safety Glass\*
- 4 mm Clear, Light Green, or Med. Gray Tint Tempered Safety Glass\*
- 3/16" Polycarbonates & Acrylics in various tints
- \* Additional Tints Available upon Request

**FRAME FINISH:** Flex Black Paint (STD)

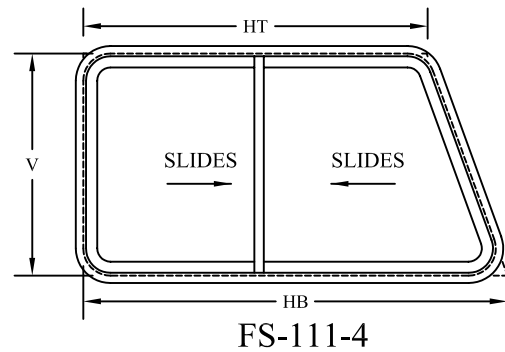
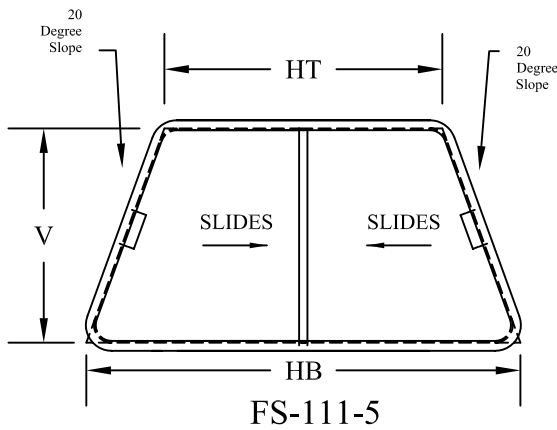
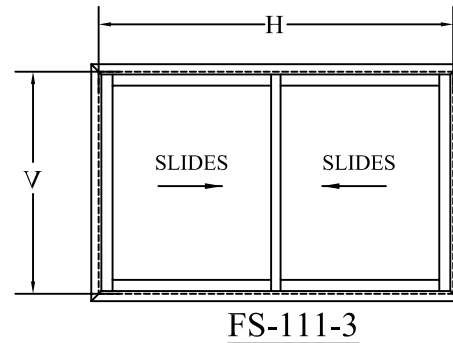
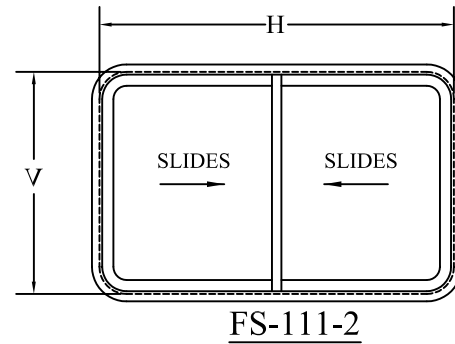
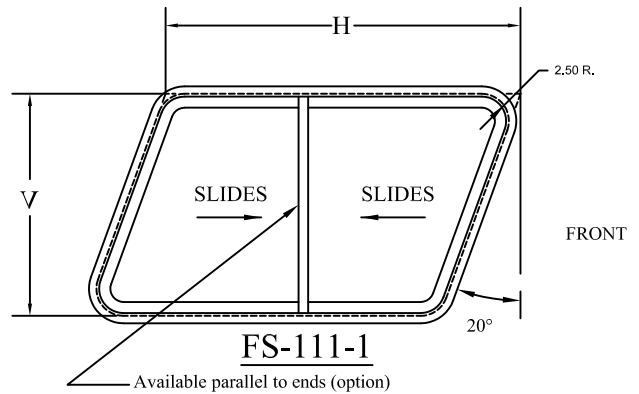
**CORNER RADIUS:** 2.50" (STD)

**LATCH:** WP2 Squeeze Latch (STD) -2

**Options:** Friction Lock Assembly

## EXTERIOR VIEW

R. H. SHOWN - L. H. OPPOSITE



**Transportation Products, Inc.**  
**P. O. Box 586**  
**Evergreen, Al 36401**

**Phone: (251) 578-1267**  
**Fax: (251) 578-5213**  
**E-mail: tpi@tpiwindows.com**

# FS-111