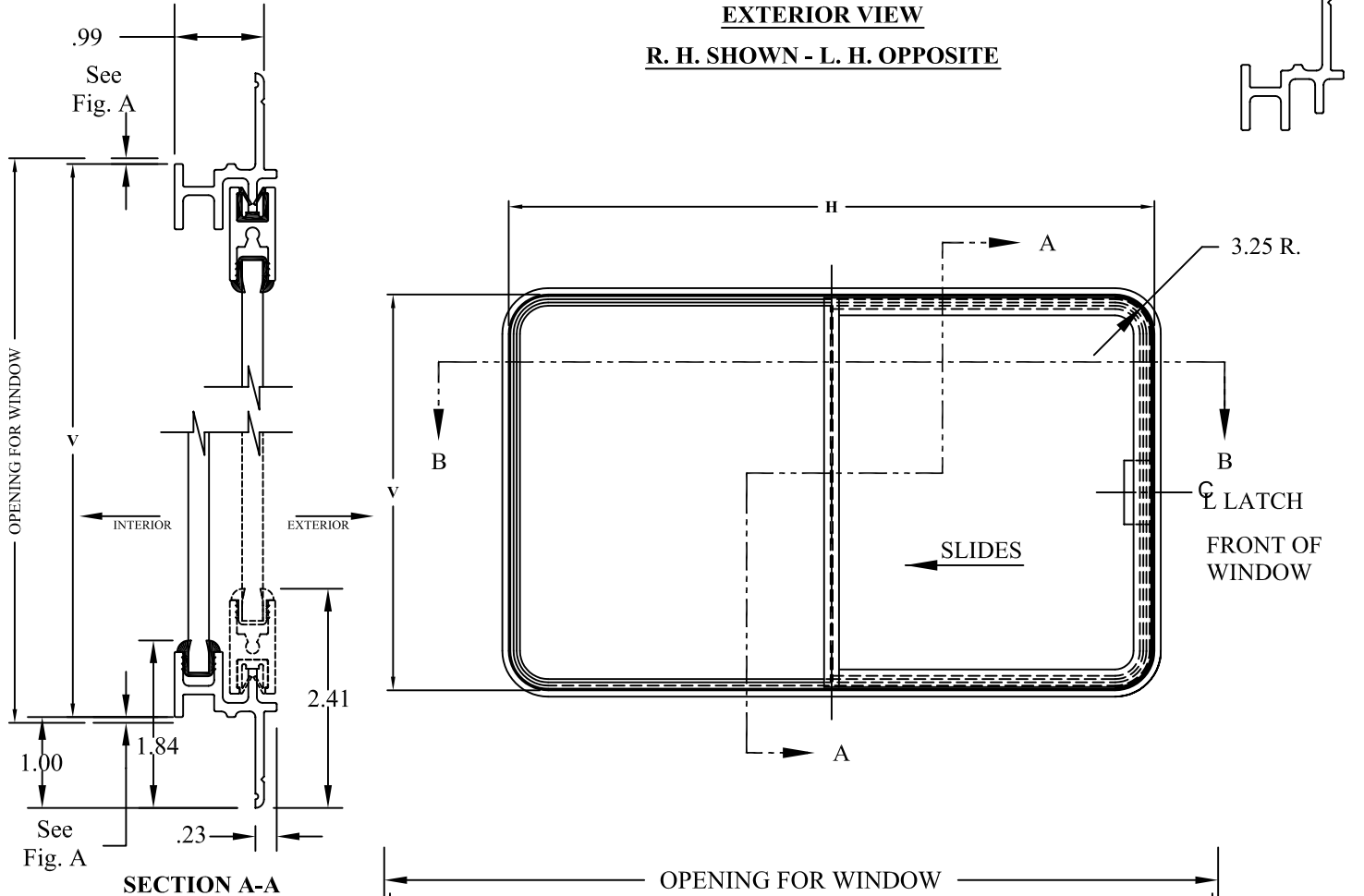
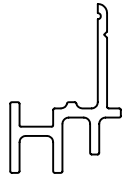


FLANGE-MOUNTED FRAMED GLASS

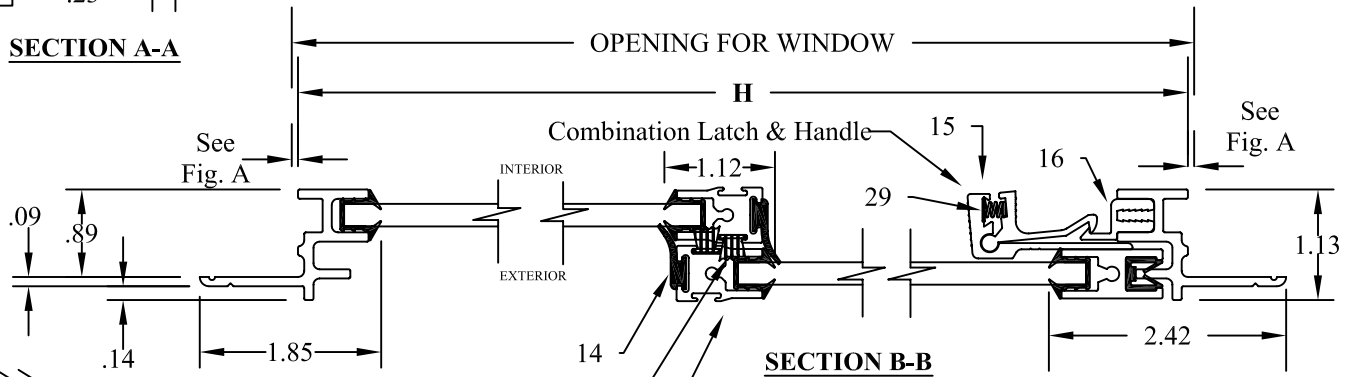
SINGLE
SLIDING WINDOW

FS-12

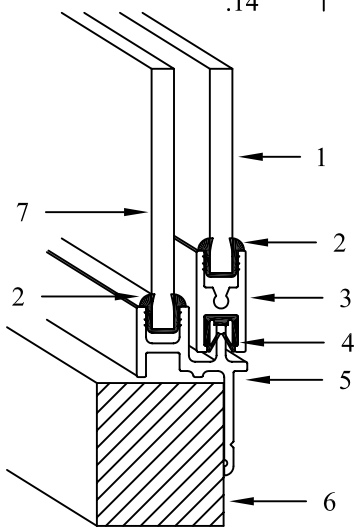
EXTERIOR VIEW
R. H. SHOWN - L. H. OPPOSITE



SECTION A-A



SECTION B-B



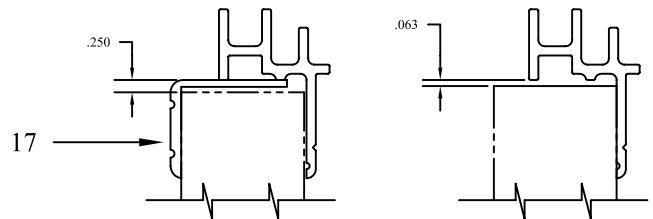
KEY TO NUMBERED PARTS

- 1. Sliding glass
- 2. Vinyl glass channel
- 3. Sliding glass frame-sash rail
- 4. Felt slide channel
- 5. Outer Frame
- 6. Vehicle Wall
- 7. Stationary glass
- 12. Vertical Sash Rail
- 13. Felt pile Weather seal (2)
- 14. Rubber Weather seal (2)
- 15. WP-2 Combination Latch
- 16. Latch Keeper
- 17. Trim Ring-Option
- 29. Latch Spring
- 59. WP-1 Combo Latch (option)
- 60. Latch Keeper-Hold Open
- 61. Latch Keeper-WP1 Latch

FIG. A

WINDOW OPENING CLEARANCES

Selection of optional interior trim ring requires additional allowance for window opening as shown.



Movable glass is mounted in a separate aluminum frame that slides within the outer frame. Easy operating combination handle latches and unlatches the slider in the same motion used for opening and closing the window. Drain slots where necessary, and weather seals keep wind and water outside. This window can be manufactured in various shapes, sizes, and sliding configurations.

ORDERING INFORMATION

GLAZING: 3/16" Clear Tempered Safety Glass (Std)

Options:

- 3/16" Tempered Glass Light Green or Medium Gray Tint*
- 1/4" Tempered Glass- Clear, Light Green or Med Gray Tint*
- 7/32" Laminated Glass- Clear, Lt. Green or Med. Gray Tint*

3/16" or 1/4" Polycarbonate or Acrylic in various tints

*Additional Tints available upon request

FRAME FINISH: Clear Anodized (STD)

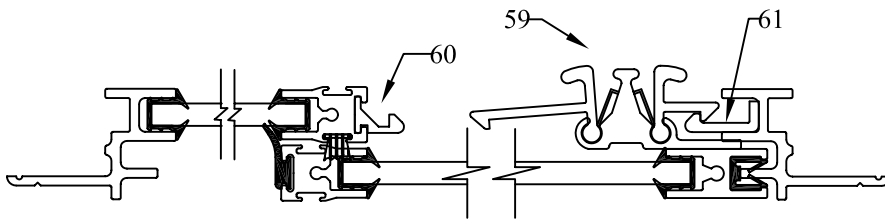
Option: Flex Black

CORNER RADIUS: 3.25" (STD)

- Options:**
- 3.75"
 - 4.50"
 - Mitered Corners

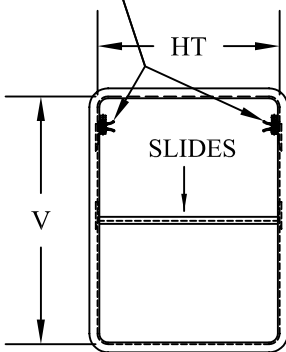
LATCH: WP2 Squeeze Latch Assembly (STD)

- 3" long for "V" dimension up to 30"
- 5" long for "V" dimension over 30"
- WP1 Combo Latch & Handle with Hold Open (illustrated below)

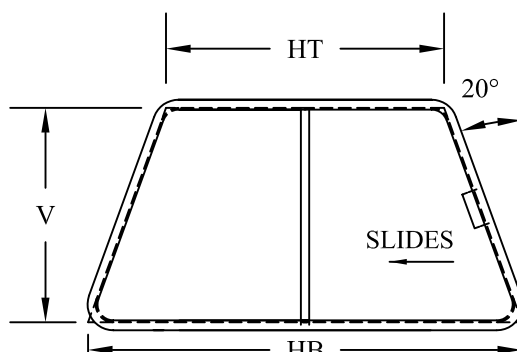


SECTION B-B (With WP1 Latch)

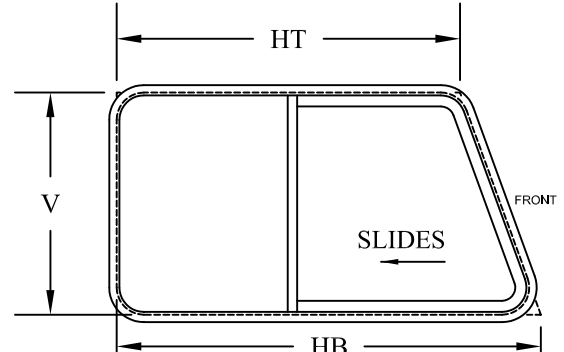
RACK AND RATCHET LATCHES



FS-12V-2



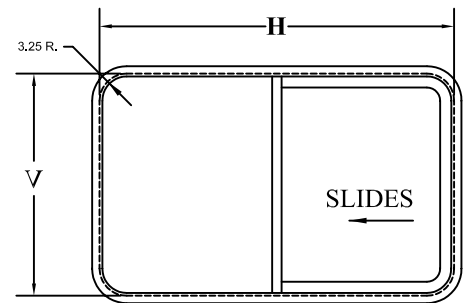
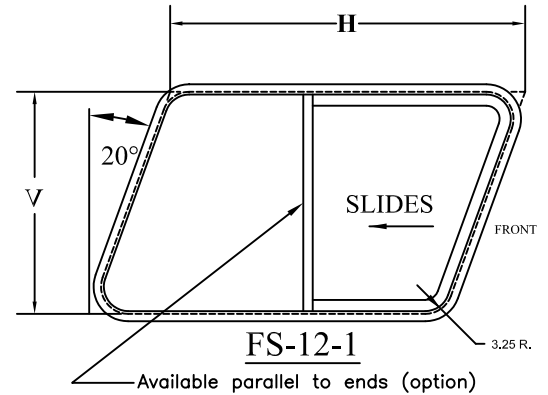
FS-12-5



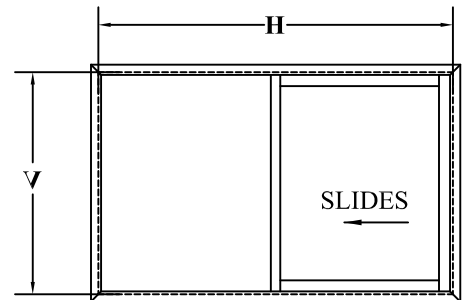
FS-12-4

EXTERIOR VIEW

R. H. SHOWN - L. H. OPPOSITE



FS-12-2



FS-12-3