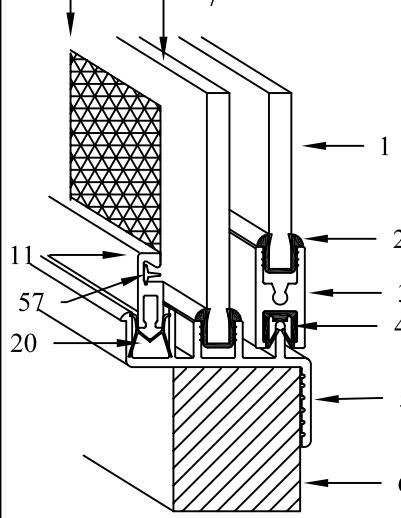
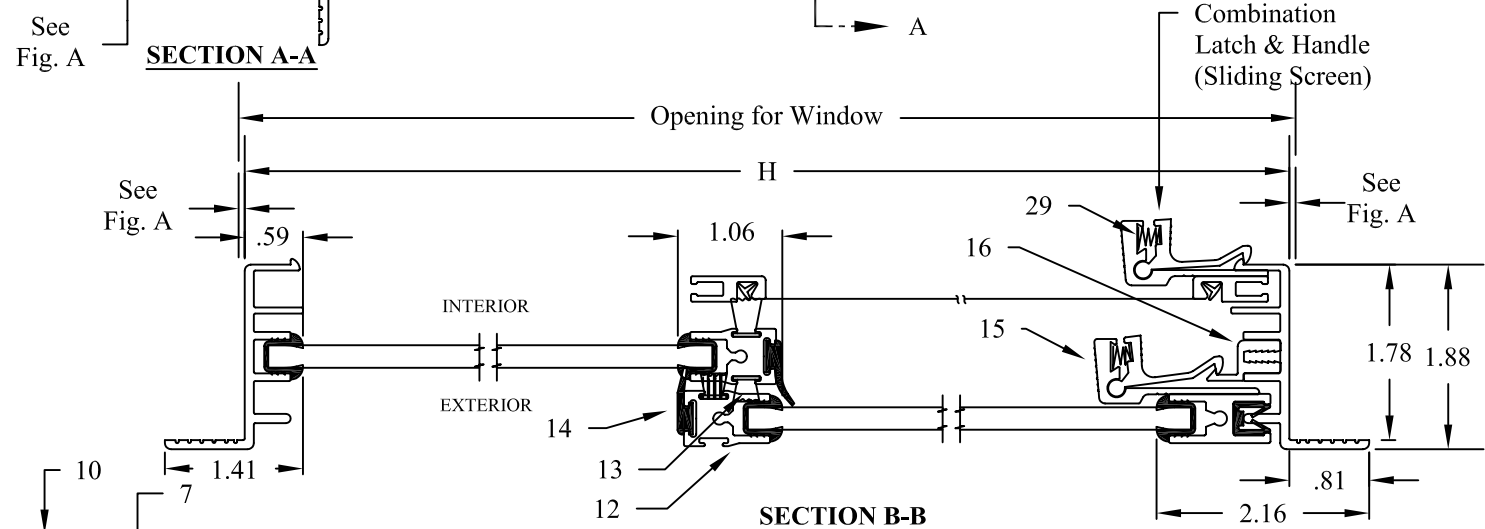
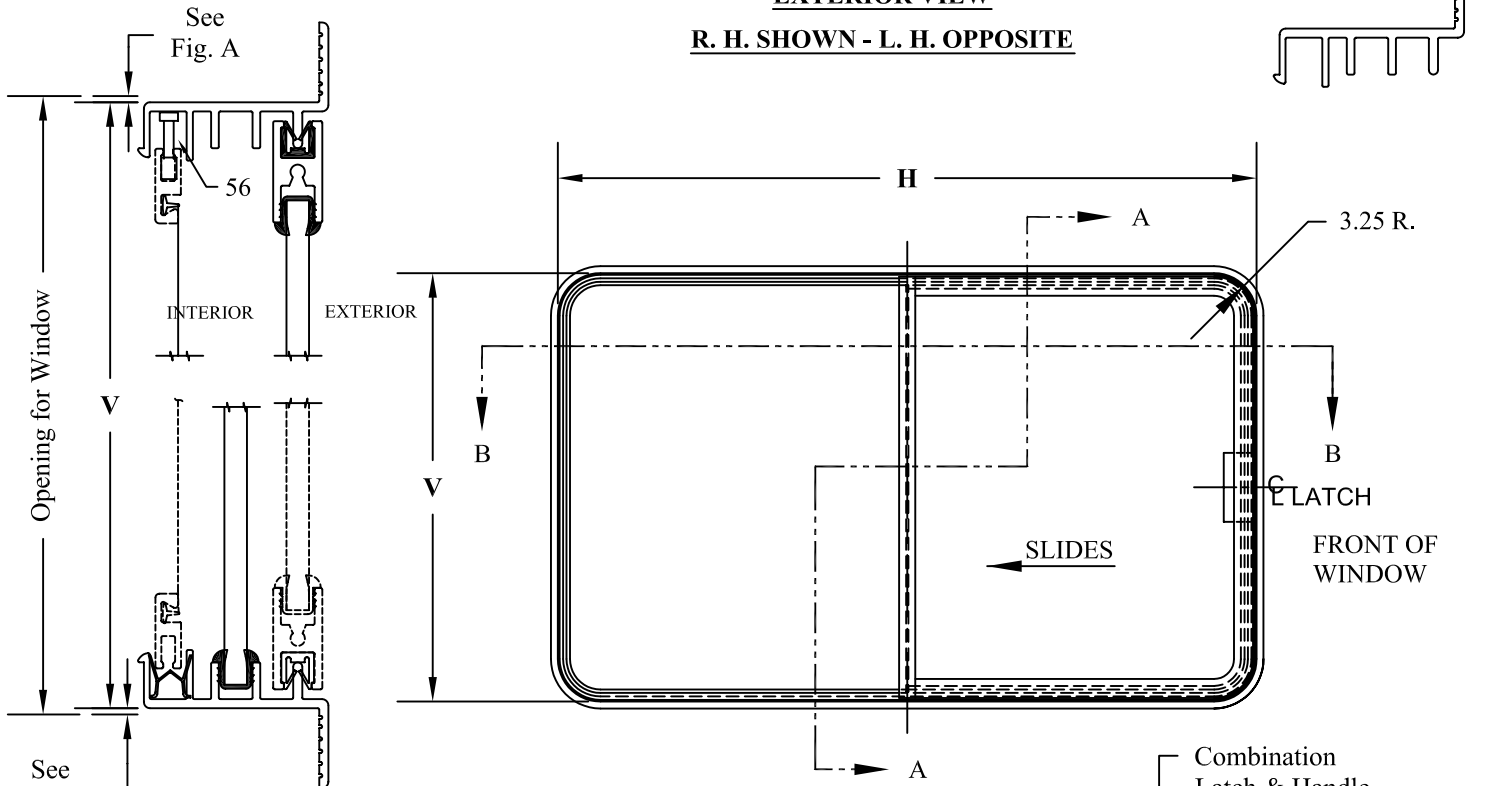


FLANGE-MOUNTED FRAMED GLASS

SINGLE
SLIDING WINDOW

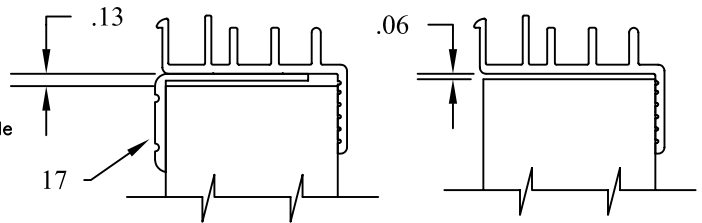
FS-16

EXTERIOR VIEW
R. H. SHOWN - L. H. OPPOSITE



- KEY TO NUMBERED PARTS**
1. Sliding glass
 2. Vinyl glass channel
 3. Sliding glass frame -sash rail
 4. Felt slide channel
 5. Outer Frame
 6. Vehicle Wall
 7. Stationary glass
 10. Screen
 11. Screen Frame
 12. Vertical Sash Rail
 13. Felt Pile Weather Seal (2)
 14. Rubber Weather Seal (2)
 15. WP2 Combination Latch & Handle
 16. Latch Keeper
 17. Trim Ring-Option
 20. Screen Run -Glide
 29. Latch Spring
 56. Screen Spring Clip
 57. Screen T Spline
 59. WP1 Combo Latch (option)
 60. Latch Keeper-Hold Open (option)

FIG. A
WINDOW OPENING CLEARANCES
Selection of optional interior trim ring requires additional allowance for window opening as shown.



Movable glass is mounted in a separate aluminum frame that slides within the outer frame. Easy operating handles latch and unlatch the screen and slider in the same motion with which they are opened and closed. Drain slots, where necessary, and weather seals keep wind and water outside. This window can be manufactured in various shapes, sizes, and sliding configurations.

ORDERING INFORMATION

GLAZING: 3/16" Clear Tempered Safety Glass (Std)

Options:

- 3/16" Tempered Glass Light Green or Medium Gray Tint*
- 1/4" Tempered Glass- Clear, Light Green or Med Gray Tint*
- 7/32" Laminated Glass- Clear, Lt. Green or Med. Gray Tint*
- 3/16" or 1/4" Polycarbonate or Acrylic in various tints
- *Additional Tints available upon request

FRAME FINISH: Clear Anodized (STD)

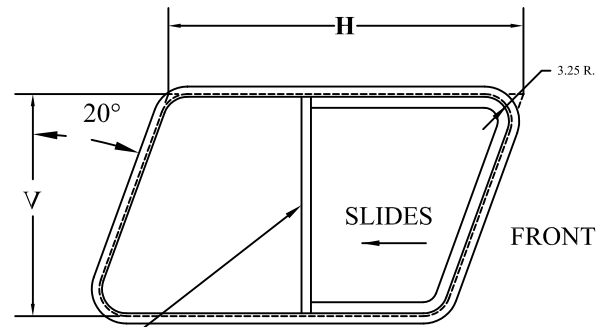
CORNER RADIUS: 3.25" (STD)

LATCH: WP2 Squeeze Latch Assembly -2 (STD)

Option: WP1 Combo Latch/Handle with Hold Open (illustrated below)

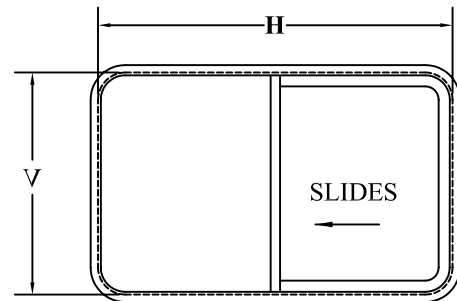
EXTERIOR VIEW

R. H. SHOWN - L. H. OPPOSITE

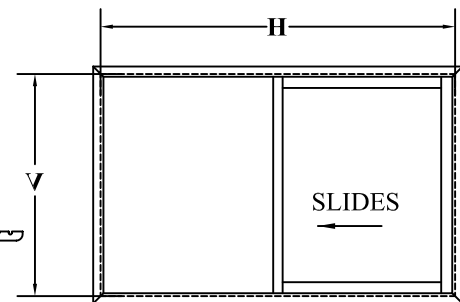


FS-16-1

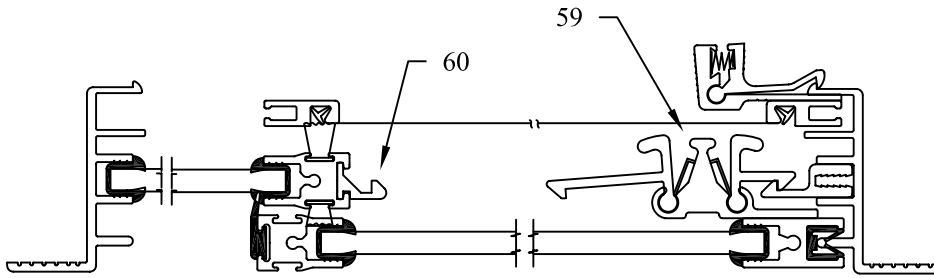
Available parallel to ends (option)



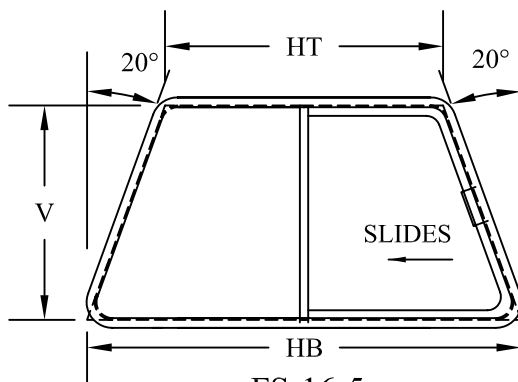
FS-16-2



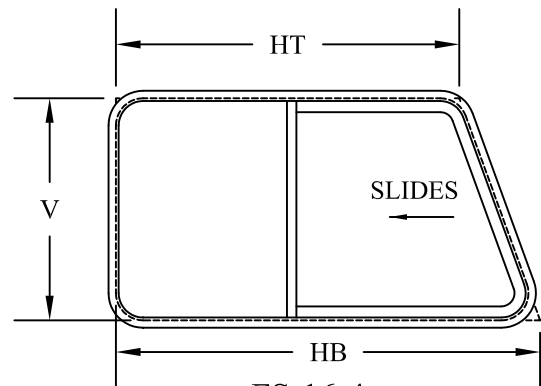
FS-16-3



SECTION B-B (With WP1 Latch)



FS-16-5



FS-16-4