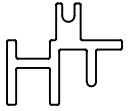


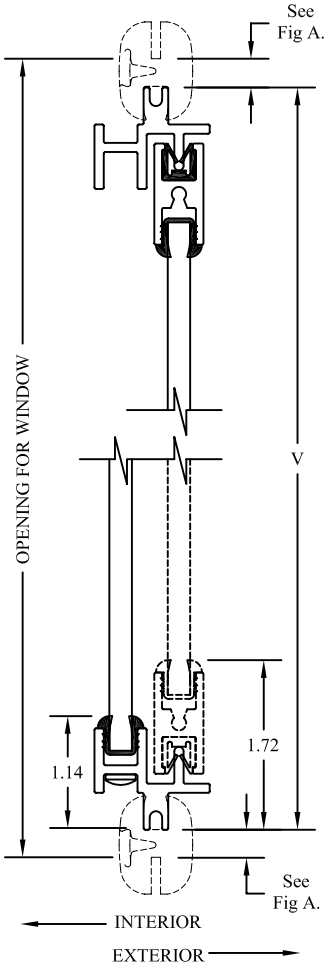
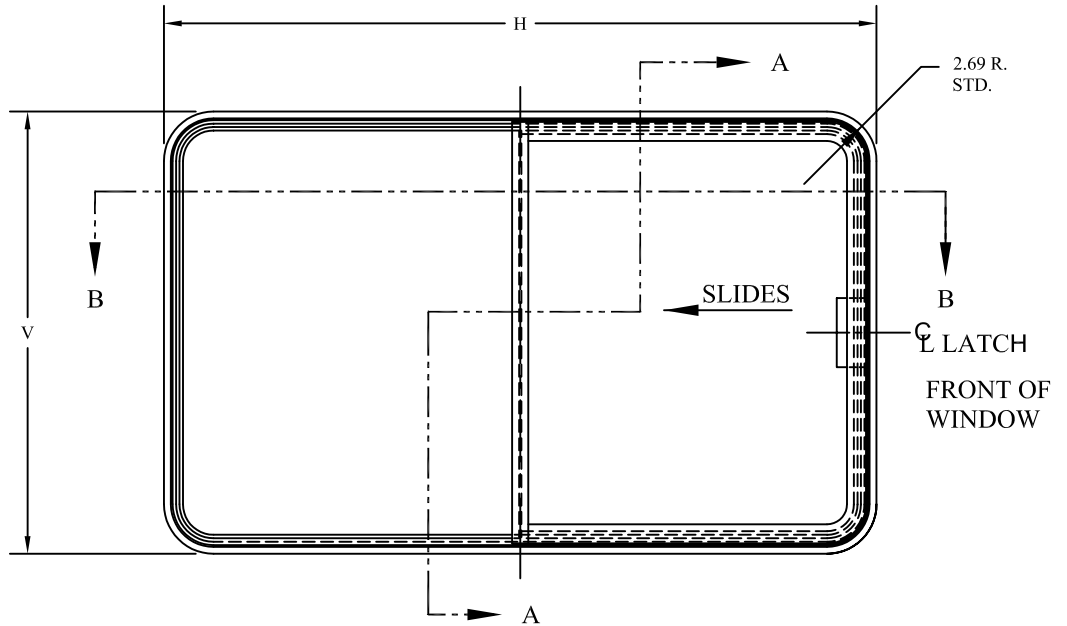
RUBBER-MOUNT FRAMED GLASS

SINGLE
SLIDING WINDOW

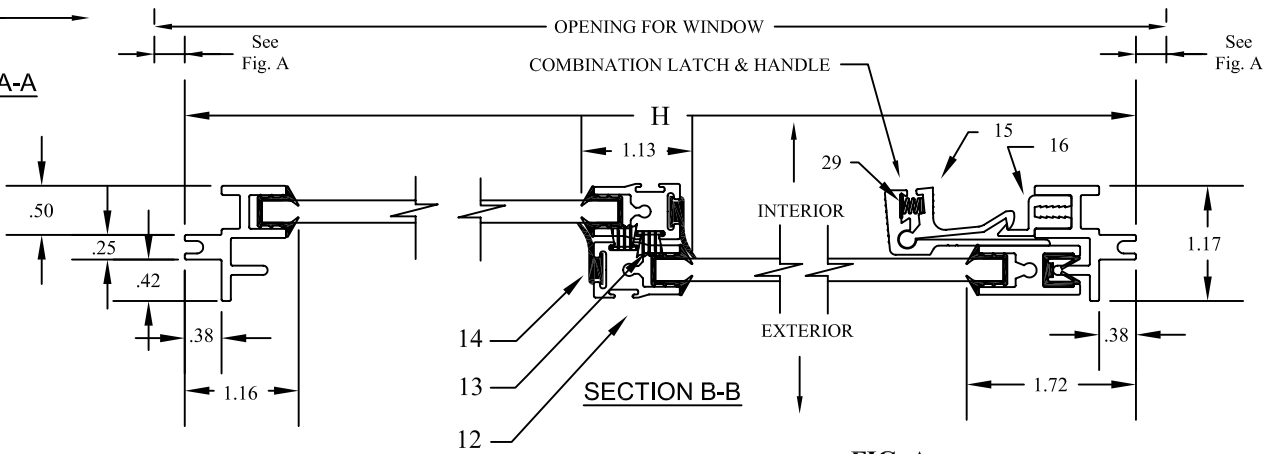
FS-3



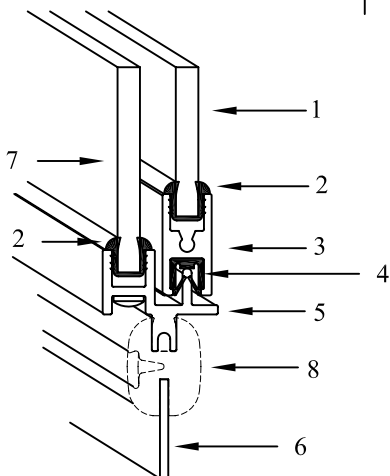
EXTERIOR VIEW R. H. SHOWN - L. H. OPPOSITE



SECTION A-A

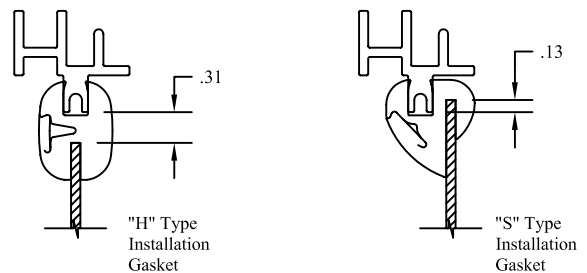


**FIG. A
WINDOW OPENING CLEARANCES**



KEY TO NUMBERED PARTS

1. Sliding glass
2. Vinyl glass channel
3. Sliding glass frame-sash rail
4. Felt slide channel
5. Outer Frame
6. Vehicle Wall
7. Stationary glass
8. Installation gasket (H Type)
12. Vertical Sash Rail
13. Felt Pile Weather Seal (2)
14. Rubber Weather Seal (2)
15. WP2 Combination Latch & Handle
16. Latch Keeper
29. Latch Spring



Recommended clearance between window assembly and body opening. Clearances will vary from supplier to supplier. These types of installation gaskets, with clearances shown, can be supplied with windows upon request.

FS-3 WINDOW FEATURES

STANDARD SHAPES

Movable glass is mounted in a separate aluminum frame that slides within the outer frame. Easy operating combination handle latches and unlatches the slider in the same motion used to open and close the window. Drain slots, where necessary, and weather seals keep wind and water outside. This window can be manufactured in various shapes, sizes, and sliding configurations.

ORDERING INFORMATION

GLAZING: 3/16" Clear Tempered Safety Glass (Std)

Options:

- 3/16" Tempered Glass Light Green or Medium Gray Tint*
- 1/4" Tempered Glass- Clear, Light Green or Med Gray Tint*
- 7/32" Laminated Glass- Clear, Lt. Green or Med. Gray Tint*

3/16" or 1/4" Polycarbonate or Acrylic in various tints
 *Additional Tints available upon request

FRAME FINISH: Clear Anodized (STD)

Option: Flex Black Paint

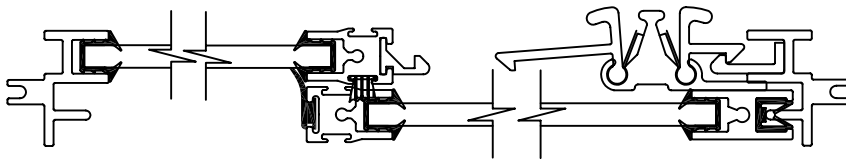
CORNER RADIUS: 2.69" (STD)

- Options:**
- | | | |
|-------|-------|-------|
| 2.25" | 3.00" | 4.19" |
| 2.44" | 3.13" | 4.69" |
| 2.63" | 3.63" | |

LATCH: WP2 Squeeze Latch Assembly (STD)

- 3" long for "V" dimension up to 30"
- 5" long for "V" dimension over 30"

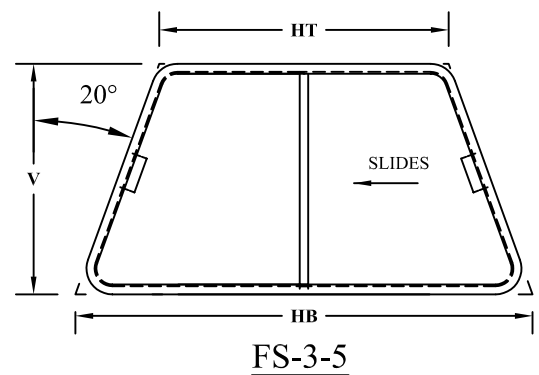
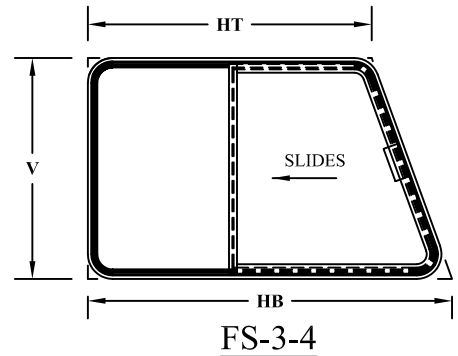
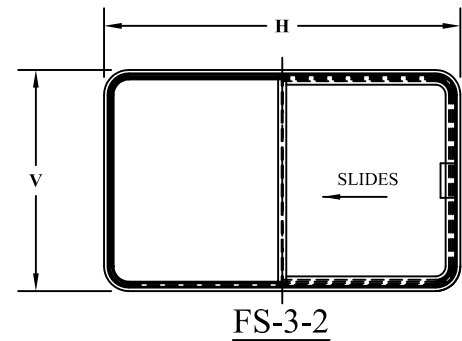
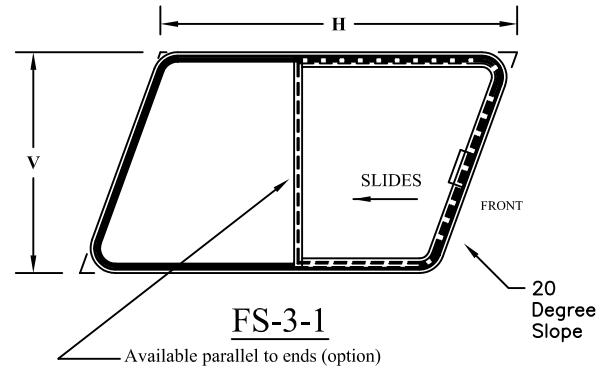
Option: WP1 Combo Latch/Handle with Hold Open (illustrated below)



SECTION B:B OPTIONAL WP1 LATCH

EXTERIOR VIEW

R. H. SHOWN - L. H. OPPOSITE



Transportation Products, Inc.
 P. O. Box 586
 Evergreen, Al 36401

Phone: (251) 578-1267
Fax: (251) 578-5213
E-mail: tpi@tpiwindows.com

FS-3