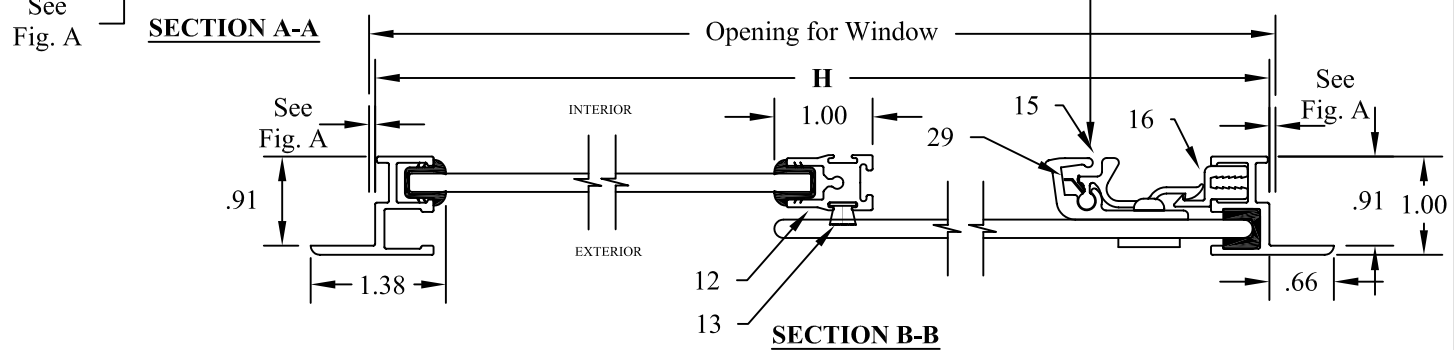
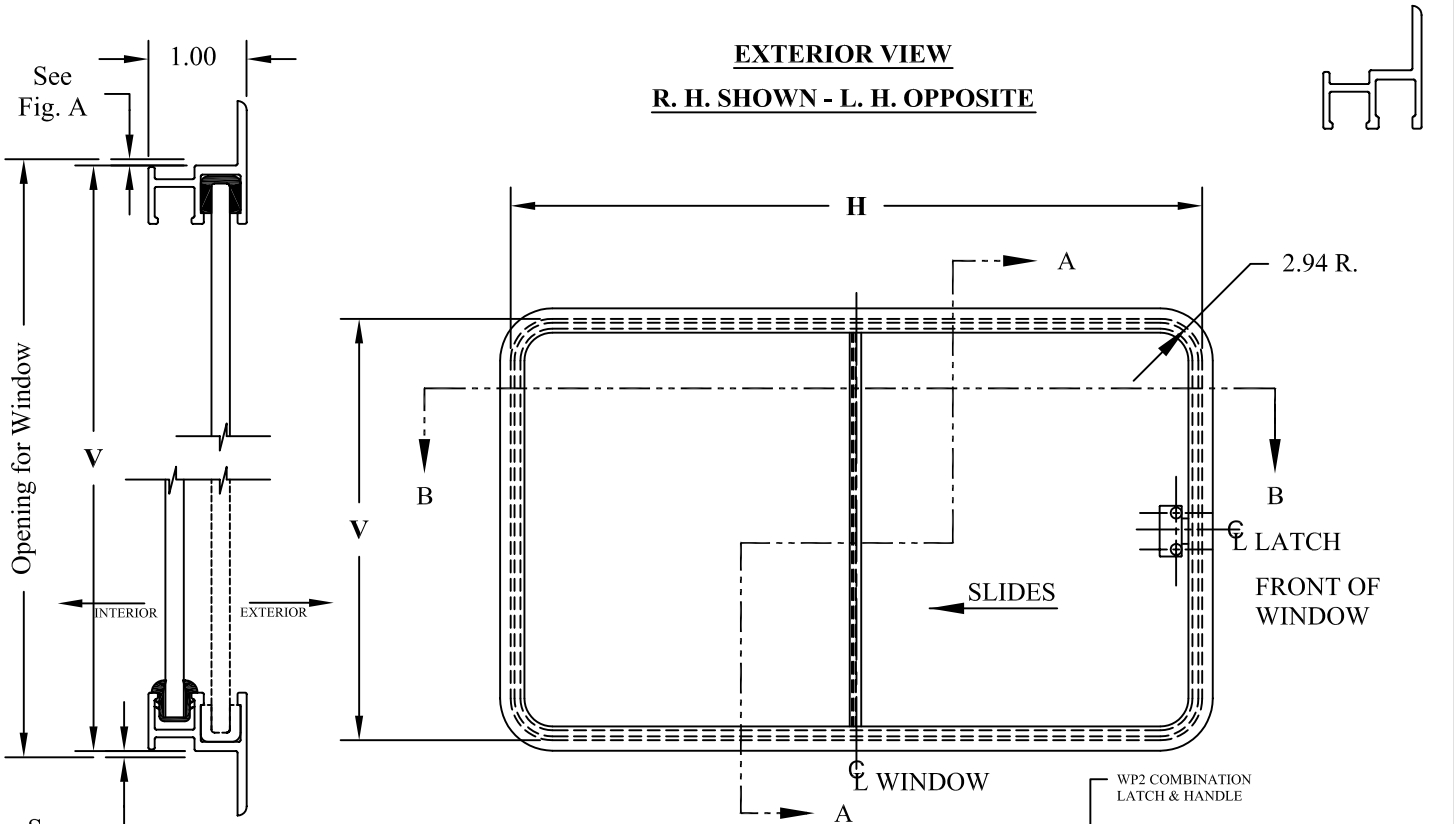


FLANGE-MOUNT UNFRAMED GLASS

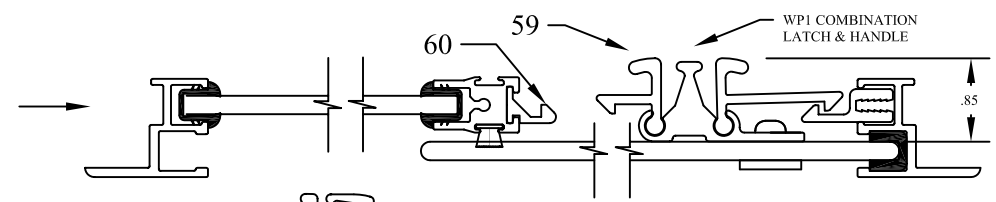
SINGLE SLIDING WINDOW

FS-42

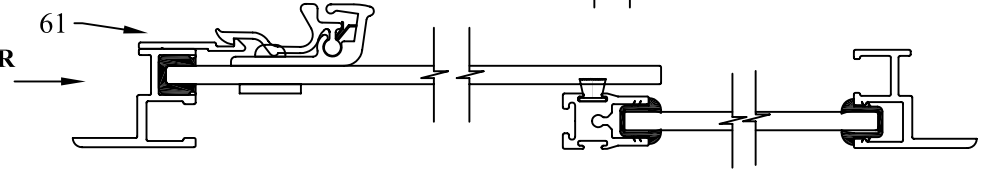
EXTERIOR VIEW
R. H. SHOWN - L. H. OPPOSITE



WP1 LATCH HOLDS WINDOW IN OPEN AND CLOSED POSITION



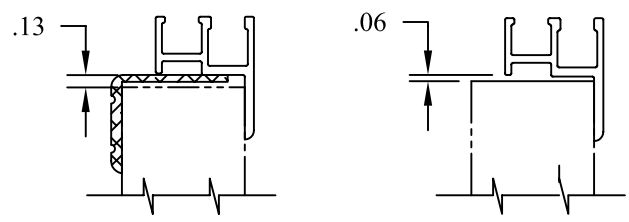
ILLUSTRATED WITH REAR SLIDER OPTION



KEY TO NUMBERED PARTS

1. Sliding glass
2. Vinyl glass channel
4. Felt slide channel
5. Outer Frame
6. Vehicle Wall
7. Stationary glass
12. Vertical Rail
13. Felt pile Weather seal
15. WP4 Combination Latch
16. Latch Keeper
59. WP1 Combination Latch
60. Hold open latch keeper
61. Latch Keeper-Rear Slider

FIG. A
WINDOW OPENING CLEARANCES
Selection of optional interior trim ring requires additional allowance for window opening as shown.



Flange mount with sliding glass which moves inside a felt lined channel. Easy operating handle latches and unlatches the slider pane(s) in the same motion used for opening and closing the window. Drain slots, where necessary, and weather seals keep wind and water outside. This window can be manufactured in various shapes, sizes, and sliding configurations.

ORDERING INFORMATION

GLAZING: 3/16" Clear Tempered Safety Glass (Std)

Options:

3/16" Tempered Glass Light Green or Medium Gray Tint*

1/4" Tempered Glass- Clear, Light Green or Med Gray Tint*

3/16" or 1/4" Polycarbonate or Acrylic in various tints

*Additional Tints available upon request

FRAME FINISH: Clear Anodized (STD)

Option:

Flex Black Paint

Black Anodized

Mill Finish

CORNER RADIUS: 2.94" (STD)

Options:

3.13"

3.94"

Mitered Corners

LATCH: WP4 Squeeze Latch Assembly (STD)

Option:

Rack & Ratchet (Vertical Slider Only)

WP1 Latch with hold open

EXTERIOR VIEW

R. H. SHOWN - L. H. OPPOSITE

