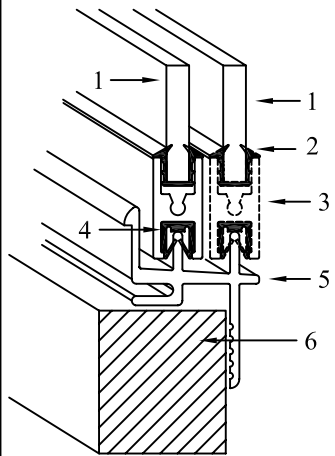
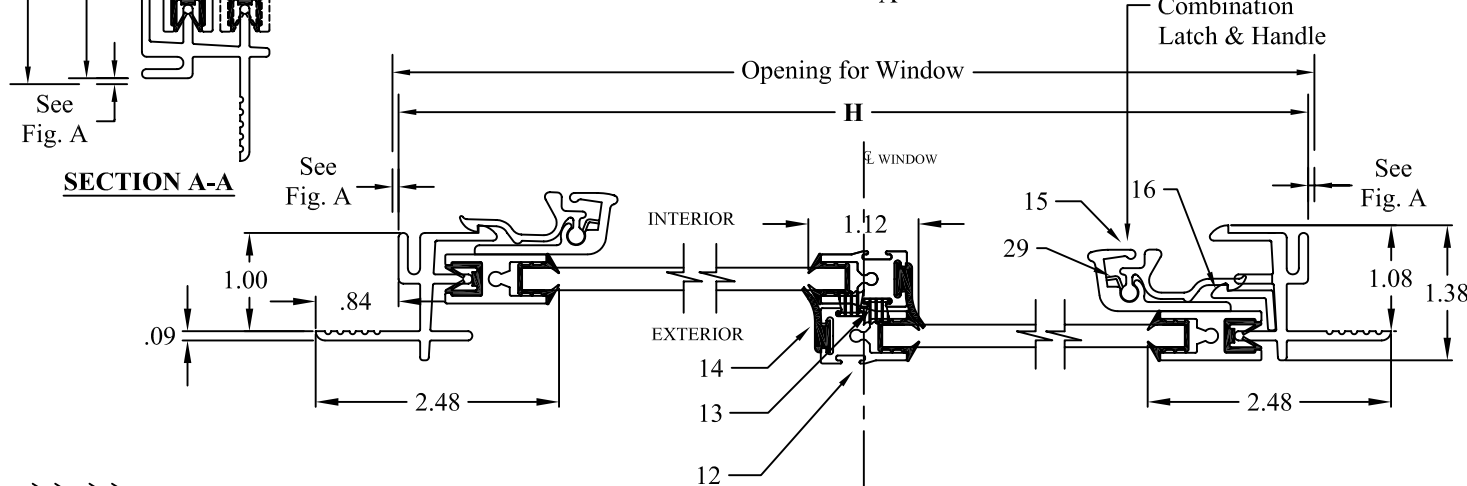
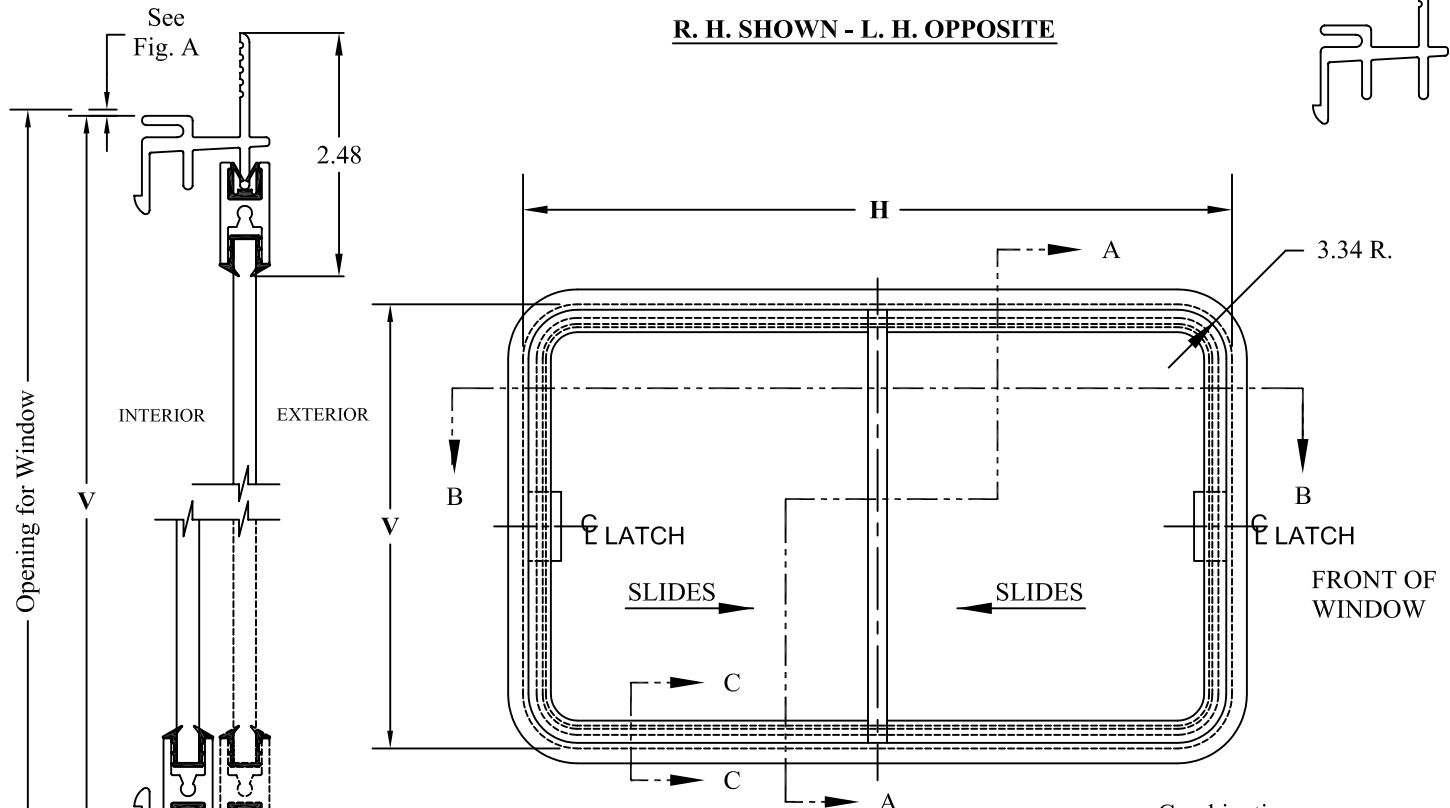


CLAMP RING-MOUNT FRAMED GLASS

DOUBLE
SLIDING WINDOW

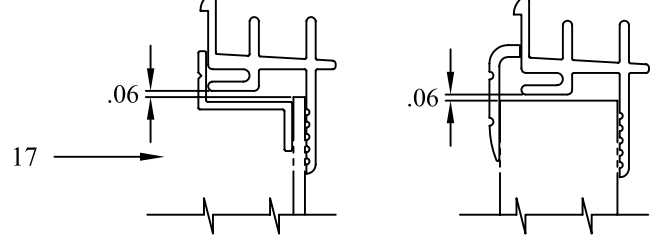
FS-57

EXTERIOR VIEW
R. H. SHOWN - L. H. OPPOSITE



- KEY TO NUMBERED PARTS**
1. Sliding glass
 2. Vinyl glass channel
 3. Sliding glass frame-sash rail
 4. Felt slide channel
 5. Outer Frame
 6. Vehicle Wall
 12. Vertical Rail
 13. Felt pile Weather seal (2)
 14. Rubber Weather seal (2)
 15. WP4 Combo Latch & Handle
 16. Latch Keeper
 17. Trim Ring-Option
 29. Latch Spring

FIG. A
WINDOW OPENING CLEARANCES
Selection of optional interior trim ring requires additional allowance for window opening as shown.



Movable glass is mounted in a separate aluminum frame that slides within the outer frame. Easy operating handles latch and unlatch the slider panes in the same motion used to open and close the window. Drain slots, where necessary, and weather seals keep wind and water outside. This window can be manufactured in various shapes, sizes, and sliding configurations.

ORDERING INFORMATION

GLAZING: 3/16" Clear Tempered Safety Glass (Std)

Options:

- 3/16" Tempered Glass Light Green or Medium Gray Tint*
- 1/4" Tempered Glass- Clear, Light Green or Med Gray Tint*
- 7/32" Laminated Glass- Clear, Lt. Green or Med. Gray Tint*

3/16" or 1/4" Polycarbonate or Acrylic in various tints

*Additional Tints available upon request

FRAME FINISH: Clear Anodized (STD)

Option: Black Anodized

CORNER RADIUS: 3.34" (STD)

Options: 4.16"

LATCH: WP4 Squeeze Latch Assembly -2 (STD)

EXTERIOR VIEW

R. H. SHOWN - L. H. OPPOSITE

