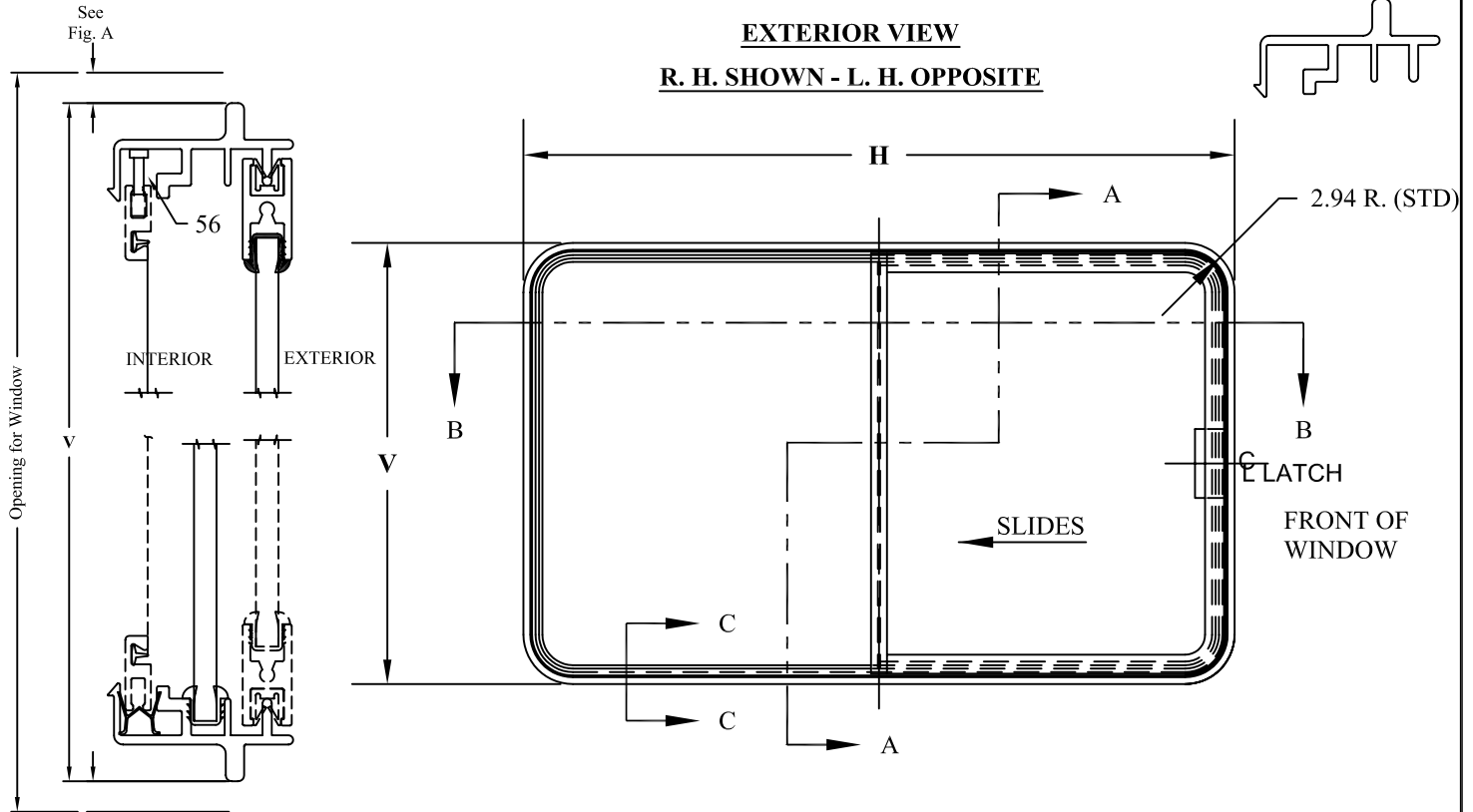


RUBBER-MOUNTED FRAMED GLASS

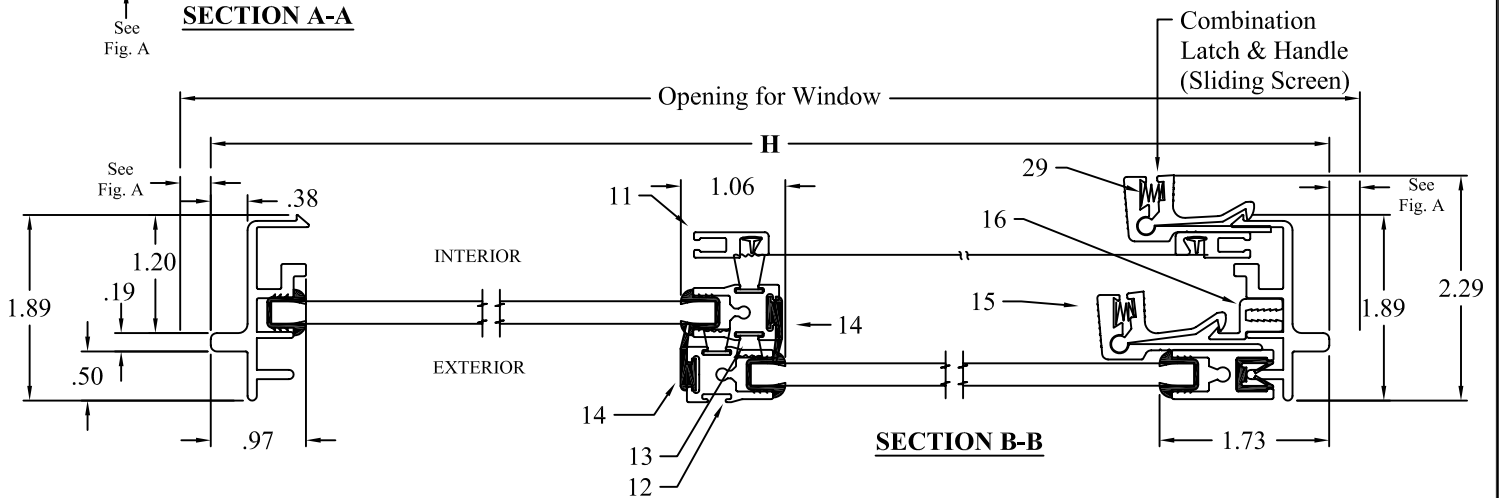
SINGLE
SLIDING WINDOW

FS-6

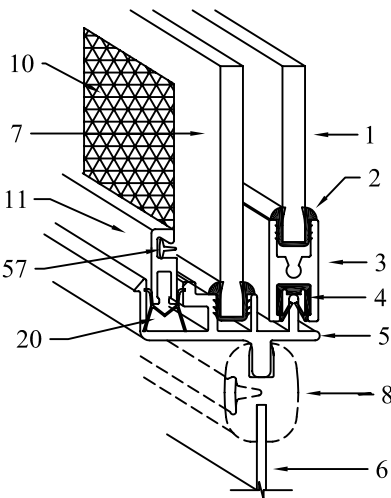
EXTERIOR VIEW R. H. SHOWN - L. H. OPPOSITE



SECTION A-A



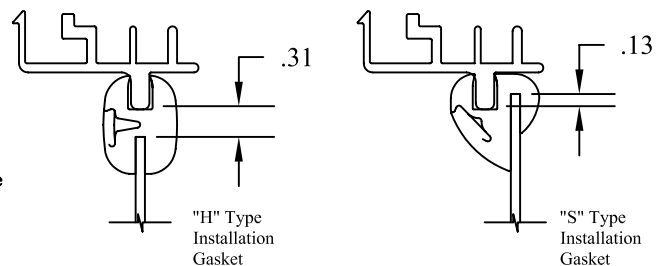
SECTION B-B



KEY TO NUMBERED PARTS

1. Sliding glass
2. Vinyl glass channel
3. Sliding glass frame-sash rail
4. Felt slide channel
5. Outer Frame
6. Vehicle Wall
7. Stationary glass
8. Installation Gasket (H type)
10. Screen
11. Screen Frame
12. Vertical Rail
13. Felt Pile Weather Seal (2)
14. Rubber Weather Seal (2)
15. WP2 Combination Latch & Handle
16. Latch Keeper
20. Screen Run- Glide
29. Latch Spring
56. Screen Spring Clip
57. Screen T Spline
59. WP-1 Combo Latch (option)
60. Latch Keeper (option)

FIG. A WINDOW OPENING CLEARANCES

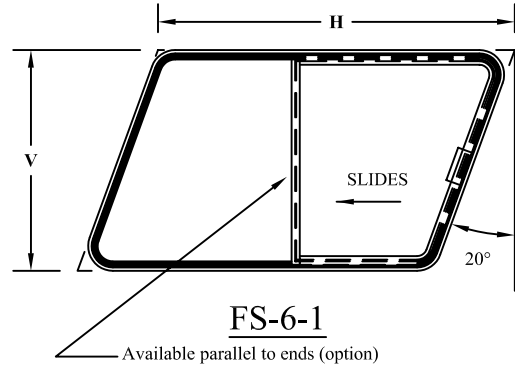


Recommended clearance between window assembly and body opening. Clearances will vary from supplier to supplier. These types of installation gaskets, with clearances shown, can be supplied with windows upon request.

Movable glass is mounted in a separate aluminum frame that slides within the outer frame. Easy operating handle latches and unlatches the screen and slider with the same motion with which they are opened and closed. Drain slots, where necessary, and weather seals keep wind and water outside. This window can be manufactured in various shapes, sizes, and sliding configurations.

EXTERIOR VIEW

R. H. SHOWN - L. H. OPPOSITE



ORDERING INFORMATION

GLAZING: 3/16" Clear Tempered Safety Glass (Std)

Options:

- 3/16" Tempered Glass Light Green or Medium Gray Tint*
- 1/4" Tempered Glass- Clear, Light Green or Med Gray Tint*
- 7/32" Laminated Glass- Clear, Lt. Green or Med. Gray Tint*

3/16" or 1/4" Polycarbonate or Acrylic in various tints

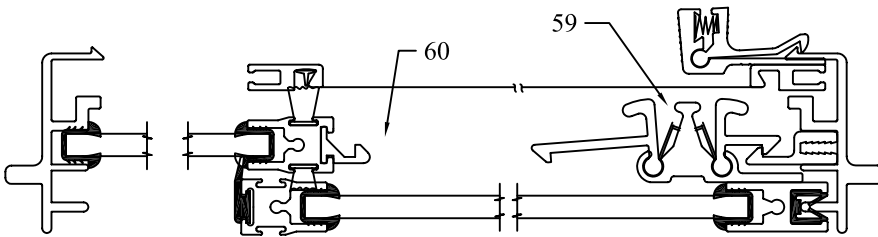
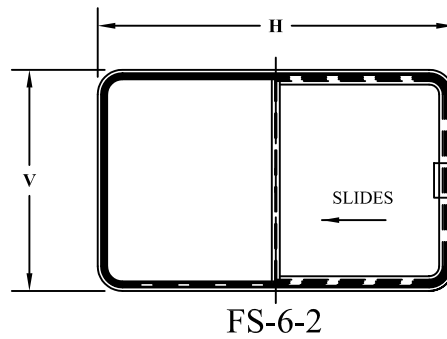
*Additional Tints available upon request

FRAME FINISH: Clear Anodized (STD)

CORNER RADIUS: 2.94" (STD)

LATCH: WP2 Squeeze Latch Assembly -2 (STD)

Option: WP1 Combo Latch/Handle with Hold Open (illustrated below)



WP1 Combo Latch with Hold Open

