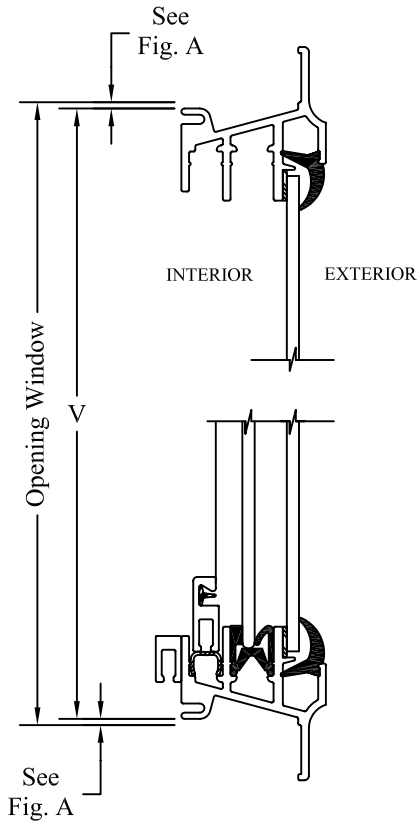
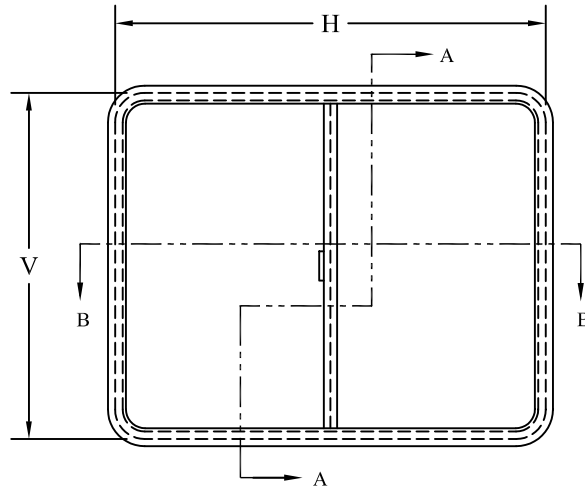


CLAMP RING-MOUNT UNFRAMED GLASS

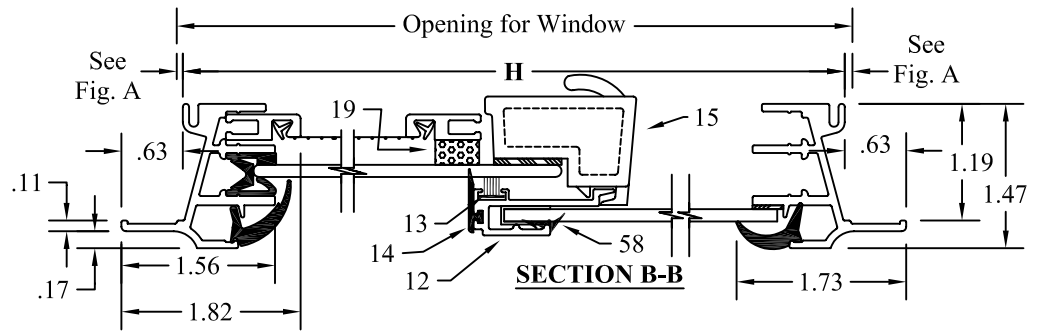
SINGLE
SLIDING WINDOW

FS-60

EXTERIOR VIEW R. H. SHOWN - L. H. OPPOSITE



SECTION A-A



KEY TO NUMBERED PARTS

1. Sliding glass
2. Glazing Rubber, Slider
4. Felt slide channel
5. Outer Frame
6. Vehicle Wall
7. Stationary glass
10. Screen
11. Screen Frame
12. Vertical End Frame
13. Felt pile Weather seal
15. Pull Latch
14. Vertical Rubber Seal
17. Trim Ring-Option
19. Screen Seal
20. Screen Run-Glide
26. Glazing Rubber, Fixed Pane
57. Screen T Spline
58. Edge Rubber, Fixed

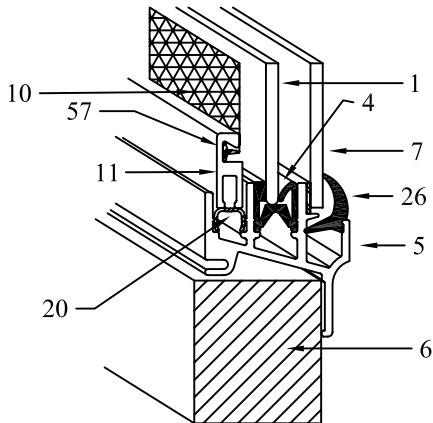
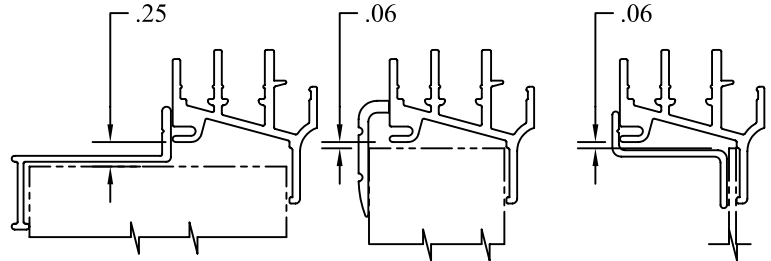


FIG. A Non-Egress Configuration

WINDOW OPENING CLEARANCES

Selection of optional interior trim ring requires additional allowance for window opening as shown.



Trim ring installed for walls greater than 1.19", require .06-.25" allowance depending on trim ring style.

Trim ring installed for walls less than or equal to 1.19".

Versatile egress or non egress window may be configured to fill numerous requirements. Clamp ring mounted adapter secures assembly to vehicle wall. Hinged inner frame allows escape or easy maintenance. Design allows a broad range of window types: Stationary, Top T-Slider, Bottom T-Slider, Single Slider or Vertical Slider. Screen may be fixed or sliding.

ORDERING INFORMATION

GLAZING: 1/8" Clear Tempered Safety Glass (Std)

Options:

1/8" Tempered Glass Light Green or Medium Gray Tint*

1/8" Polycarbonate or Acrylic in various tints

*Additional Tints available upon request

FRAME FINISH: Clear Anodized (STD)

Option: Flex Black Paint

CORNER RADIUS: 4.00" (STD)

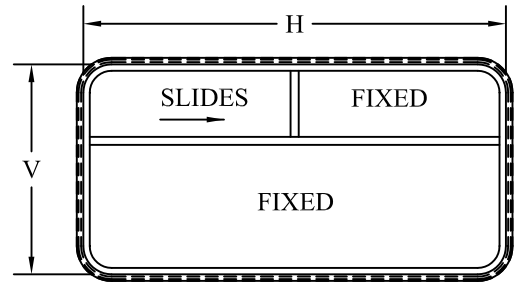
Option: 3.25" Available on Non Egress Only

Mitered

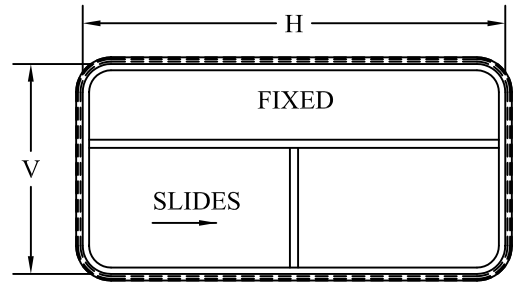
LATCH: WP-26 Pull Latch (STD)

EXTERIOR VIEW

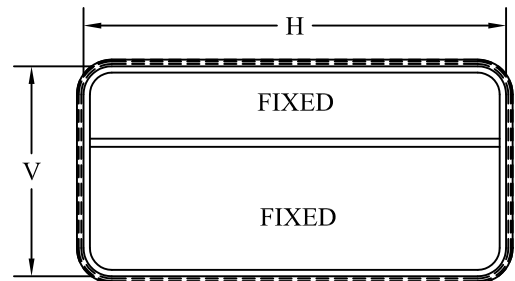
R. H. SHOWN - L. H. OPPOSITE



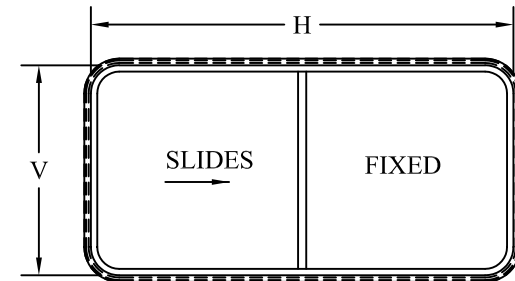
FS-60 A-2 (-E Optional)



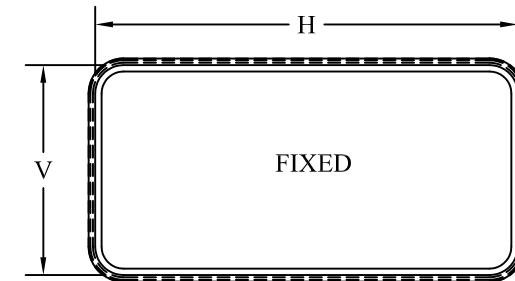
FS-60 B-2 (-E Optional)



FS-60 C-2 (-E Optional)



FS-60 D-2 (-E Optional)



FS-60 E-2 (-E Optional)