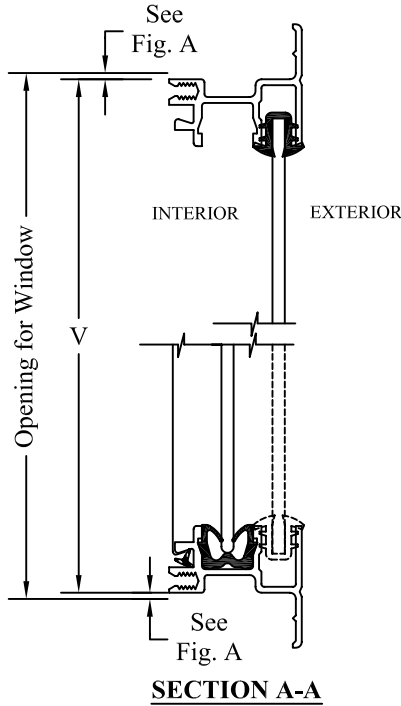


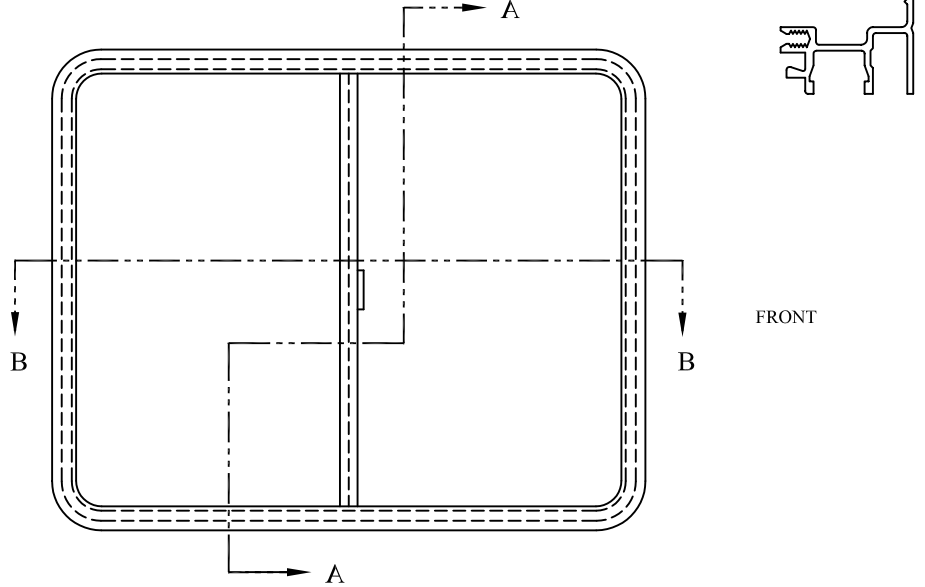
CLAMP RING-MOUNT UNFRAMED GLASS

SINGLE SLIDING WINDOW

FS-61



EXTERIOR VIEW
R. H. SHOWN - L. H. OPPOSITE



KEY TO NUMBERED PARTS

1. Sliding glass
2. Vinyl glass channel
4. Felt slide channel
5. Outer Frame
6. Vehicle Wall
7. Stationary glass
10. Screen
- 12.-12B Latch Rail
13. Felt pile Weather seal
14. Rubber Weather seal
15. Twist Latch
16. Latch Keeper
21. Vertical End Rail
22. Squeeze Latch (Opt)
24. Vert End Rail-(Opt) Squeeze Latch
29. Latch Spring
30. Fill Rubber
43. Slide Bolt Latch
44. End Rail-Vert. Slider
45. Vertical Window Stop
57. Screen T Spline
58. Vertical Screen Frame
59. Screen Seal

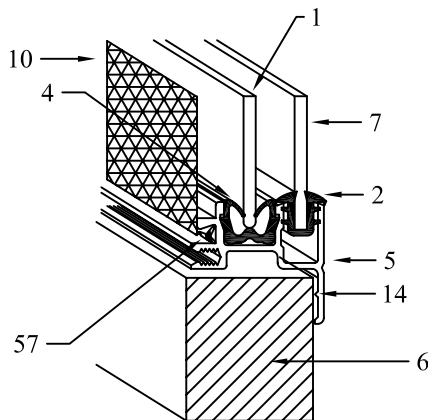
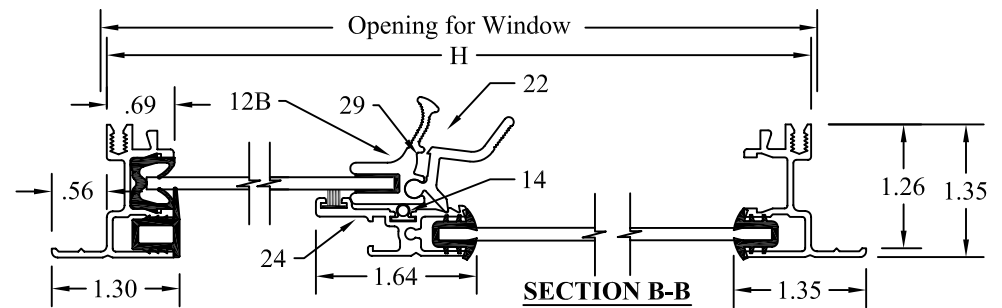
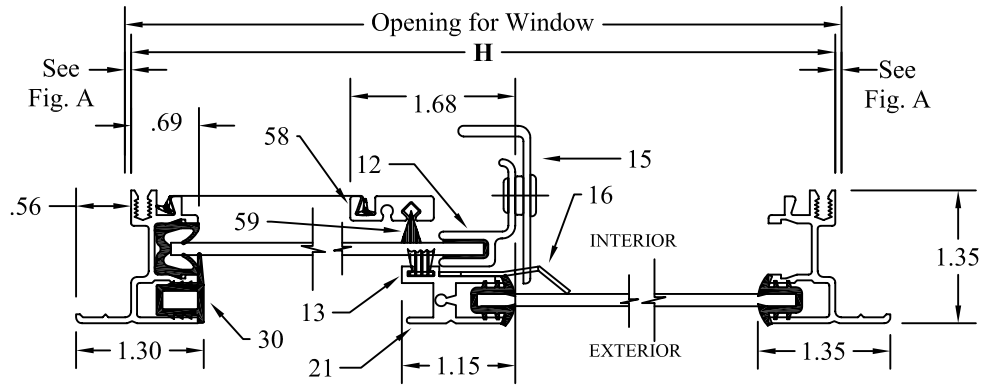
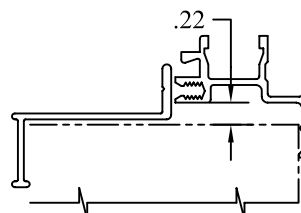
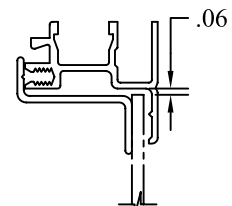


FIG. A
WINDOW OPENING CLEARANCES
Selection of optional interior trim ring requires additional allowance for window opening as shown.



Trim ring installed for walls greater than 1.26"



Trim ring installed for walls less than 1.26" thick

Economical egress and versatile window design may be configured to fill numerous requirements. Clamp ring mounted adapter secures assembly to vehicle wall. Design allows a broad range of window types: Stationary, Top T-Slider, Bottom T-Slider, Single Slider or Vertical Slider. Features a fixed screen and this window may be configured with or without the egress feature.

ORDERING INFORMATION

GLAZING: 1/8" Clear Tempered Safety Glass (Std)

Options:

1/8" Tempered Glass Light Green or Medium Gray Tint*

1/8" Polycarbonate or Acrylic in various tints

*Additional Tints available upon request

FRAME FINISH: Clear Anodized (STD)

Option: Flex Black Paint

CORNER RADIUS: 4.00" (STD) Egress Only

2.50" (STD) Non Egress Only

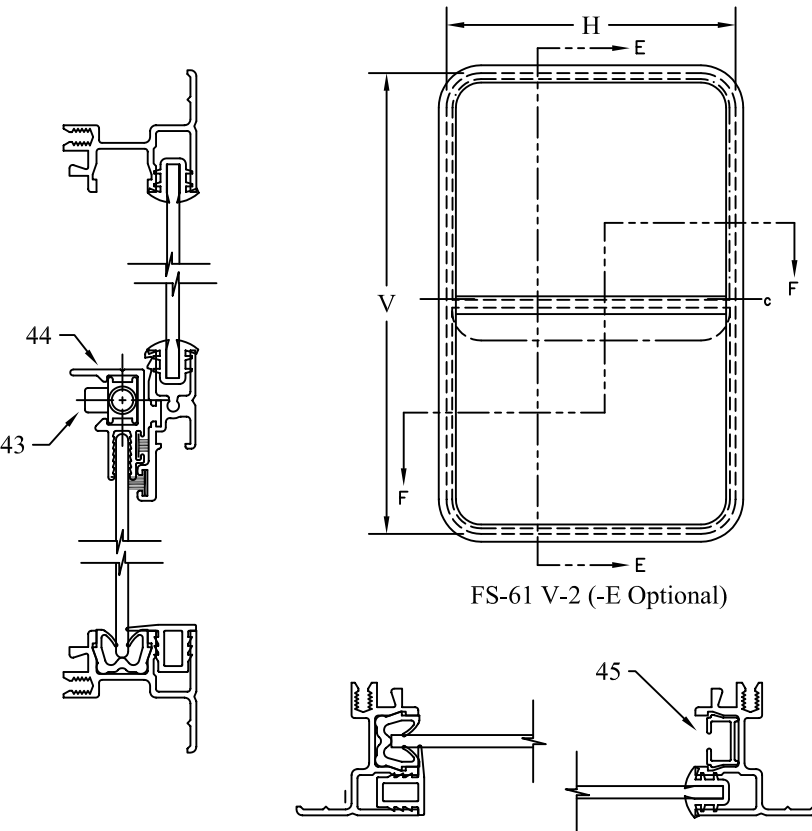
Option: 3.25" Available on Non Egress Only

LATCH: Pull Latch (STD)

Option: Center Squeeze Latch

Slide Bolt Latch (Vertical Slider Only)

Vertical Slider with Slide Bolt Latch

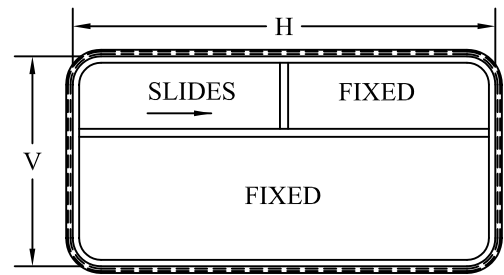


SECTION E-E

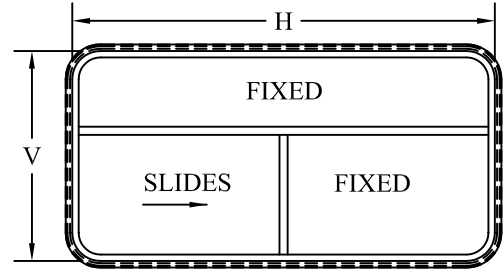
SECTION F-F

EXTERIOR VIEW

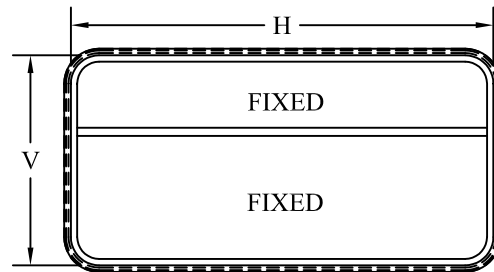
R. H. SHOWN - L. H. OPPOSITE



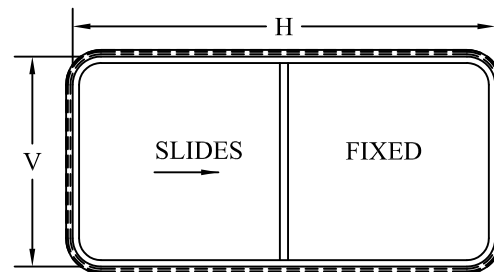
FS-61 A-2 (-E Optional)



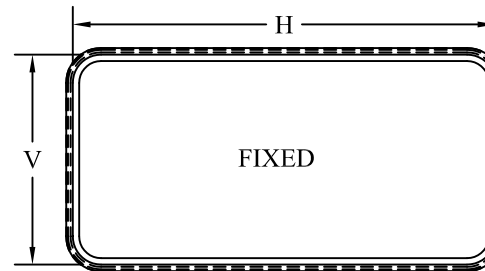
FS-61 B-2 (-E Optional)



FS-61 C-2 (-E Optional)



FS-61 D-2 (-E Optional)



FS-61 E-2 (-E Optional)