

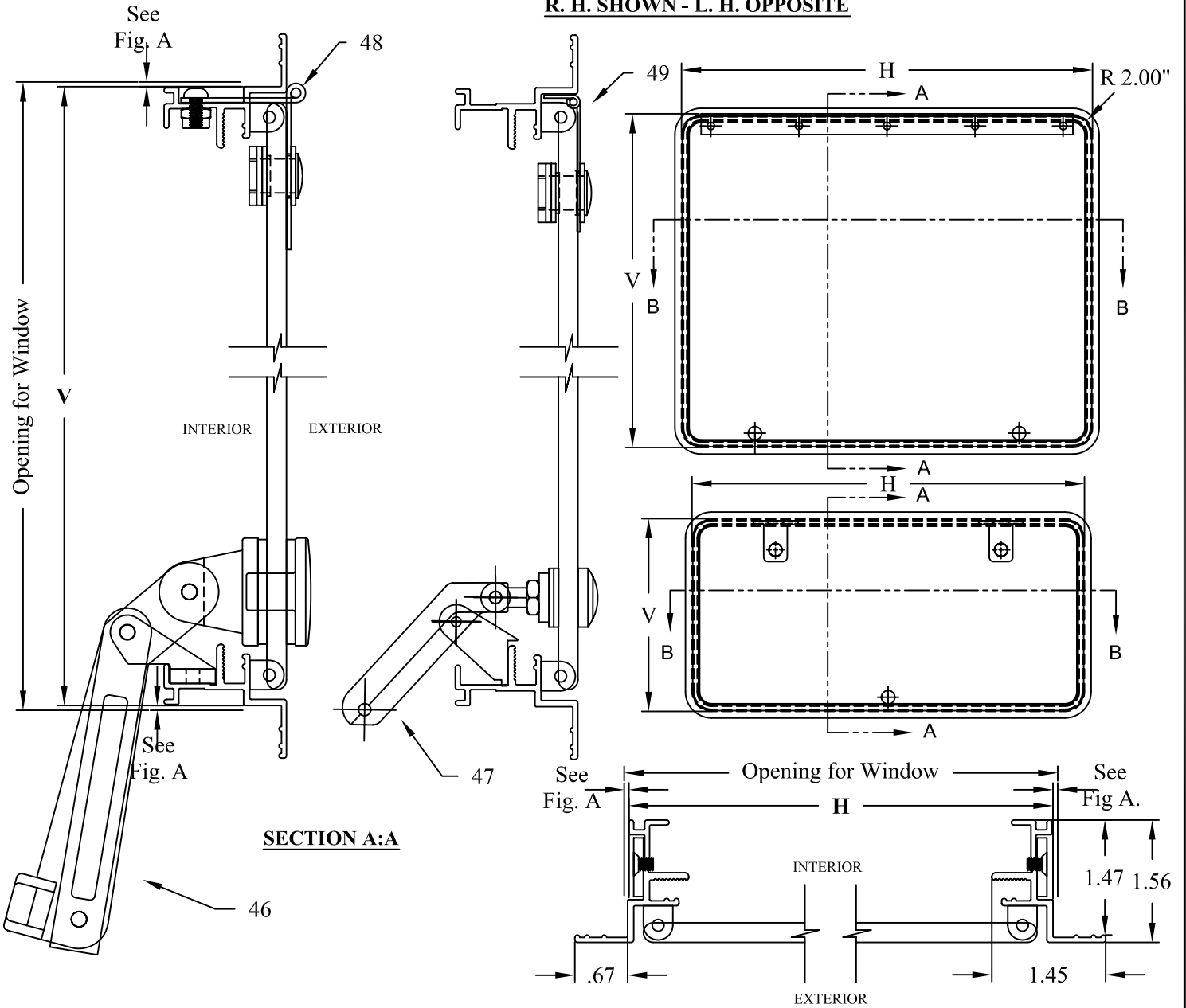
# CLAMP RING / FLANGE-MOUNT UNFRAMED GLASS

HINGED FULL  
VENT WINDOW

# FS-64

## EXTERIOR VIEW

R. H. SHOWN - L. H. OPPOSITE



### SECTION A:A

### SECTION B:B

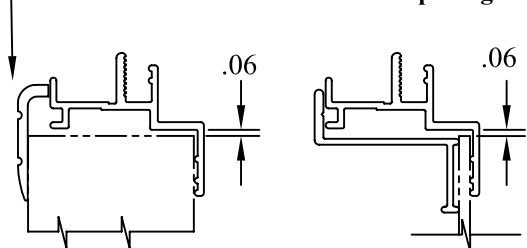
#### KEY TO NUMBERED PARTS

1. Vent glass
5. Outer Frame
6. Vehicle Wall
14. Rubber Seal
17. Trim Ring—Option
46. Heavy Duty Overcenter Latch
47. Standard Overcenter Latch
48. Heavy Duty Hinge
49. Standard Hinge
53. Removable Ident Pin

#### FIG. A

#### WINDOW OPENING CLEARANCES

Selection of optional interior trim ring requires additional allowance for window opening as shown.



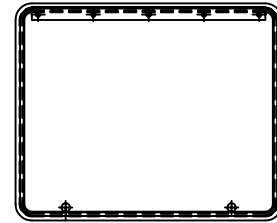
Trim ring installed  
for walls greater  
than 1.45".

Trim ring installed  
for walls less than  
or equal to 1.45".

Window frame is mounted to vehicle body panel as a clamp ring or flange mount. Movable glass, hinged at the top of the window, opens outward with an easy operating overcenter latch. Drain slots, where necessary, and weather seals keep wind and water outside. This window can be manufactured in various shapes and sizes.

EXTERIOR VIEW

R. H. SHOWN - L. H. OPPOSITE



FS-64-2

**ORDERING INFORMATION**

**GLAZING:** 3/16" Clear Tempered Safety Glass (Std)

**Options:**

3/16" Tempered Glass Light Green or Medium Gray Tint\*

1/4" Tempered Glass- Clear, Light Green or Med Gray Tint\*

\*Additional Tints available upon request

**FRAME FINISH:** Flex Black (STD)

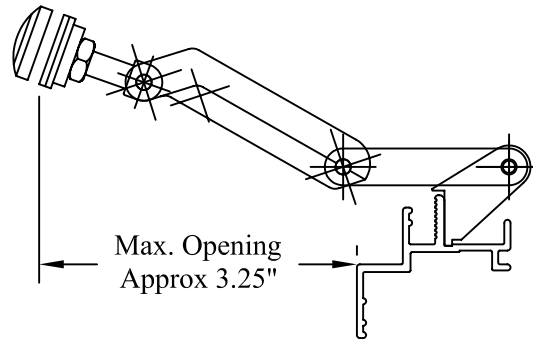
**CORNER RADIUS:** 2.00" (STD)

**LATCH:** Over Center Latch (STD)

Option: Heavy Duty Over Center Latch with four open positions

Optional Hinge: Heavy Duty Continuous Hinge for large windows

Over-Center Latch - Extended



Heavy Duty Over-Center Latch - Extended

