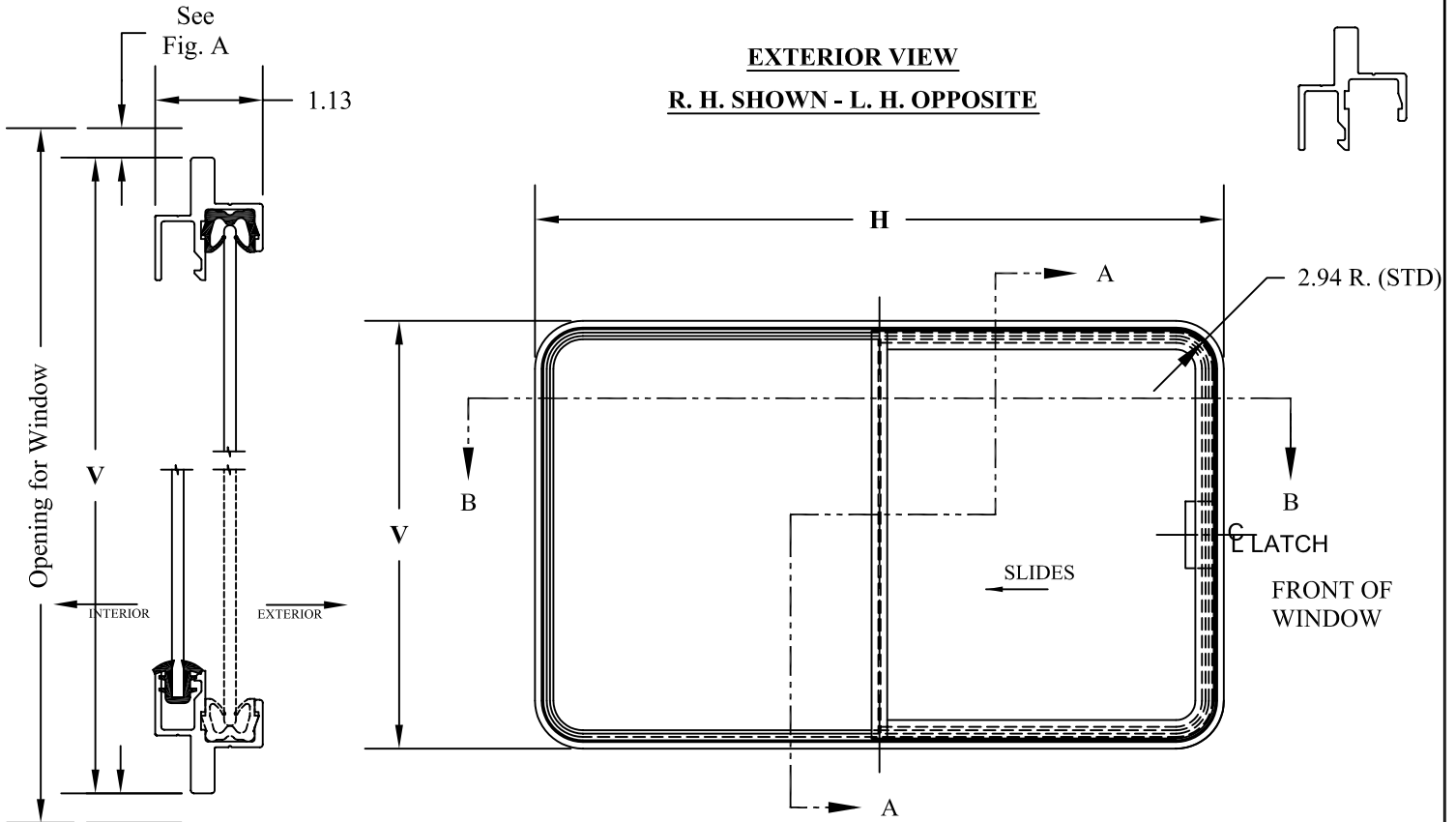


RUBBER-MOUNT UNFRAMED GLASS

SINGLE SLIDING WINDOW

FS-68

EXTERIOR VIEW R. H. SHOWN - L. H. OPPOSITE



SECTION A-A

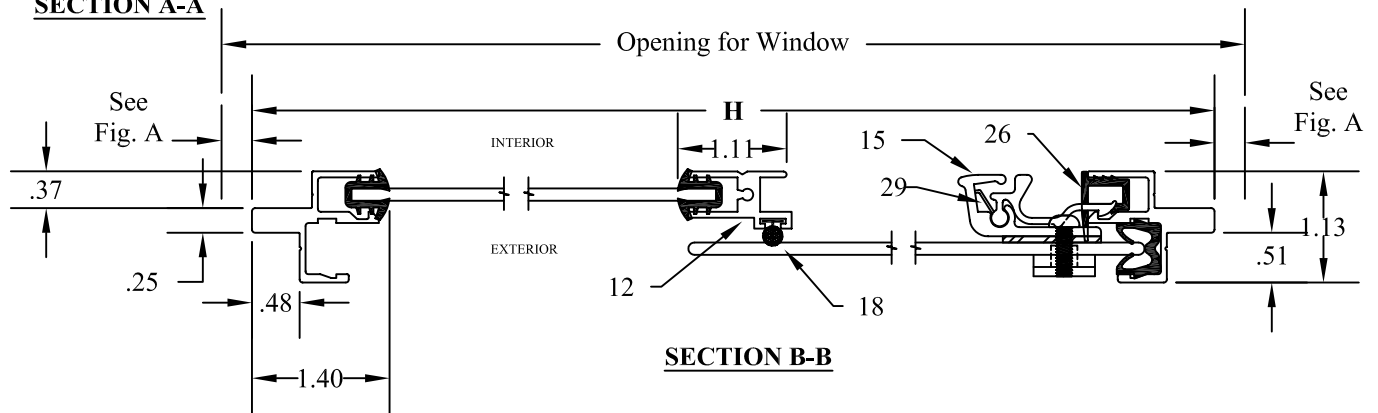
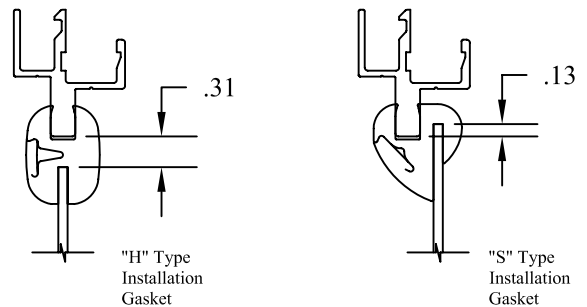
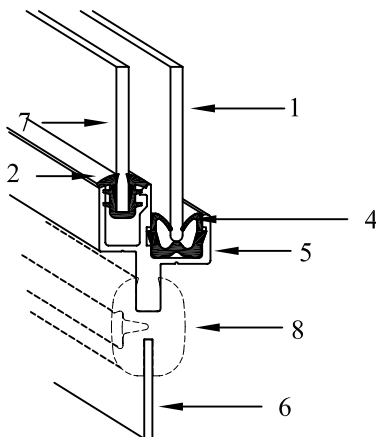


FIG. A WINDOW OPENING CLEARANCES



KEY TO NUMBERED PARTS

1. Sliding glass
2. Vinyl glass channel
4. Felt slide channel
5. Outer Frame
6. Vehicle Wall
7. Stationary glass
8. Installation gasket (H Type)
12. Vertical End Rail
15. WP-4 Window Latch
18. Vert. Weather seal
26. Fill Rubber
29. Latch Spring



Window frame is mounted to vehicle body panel with an extruded rubber installation gasket. Sliding glass moves inside a felt lined channel. Easy operating handle latches and unlatches the slider pane in the same motion used for opening and closing the window. Drain slots, where necessary, and weather seals keep wind and water outside. This window can be manufactured in various shapes, sizes, and sliding configurations.

ORDERING INFORMATION

GLAZING: 3/16" Clear Tempered Safety Glass (Std)

Options:

3/16" Tempered Glass Light Green or Medium Gray Tint*

1/4" Tempered Glass- Clear, Light Green or Med Gray Tint*

3/16" or 1/4" Polycarbonate or Acrylic in various tints

*Additional Tints available upon request

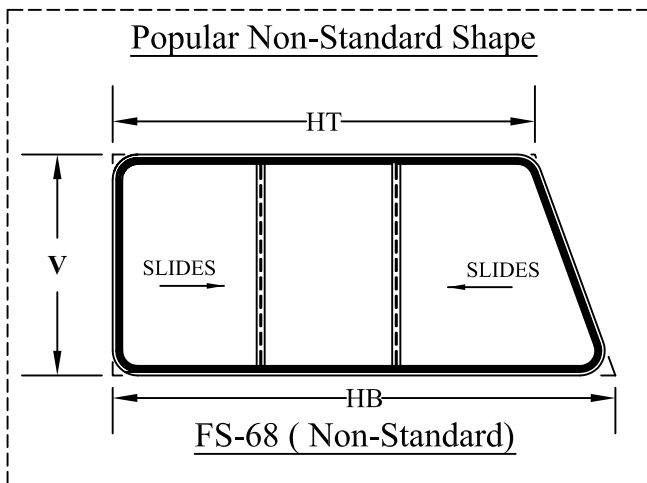
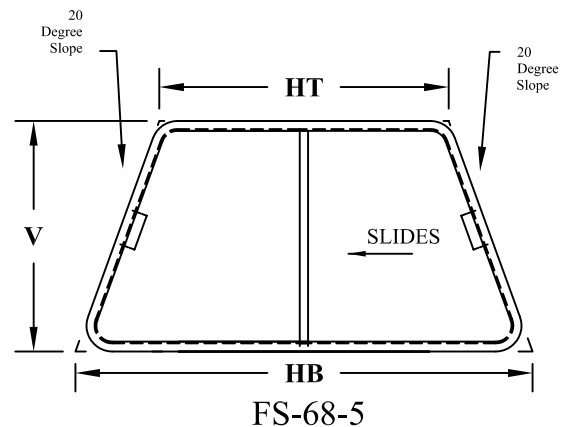
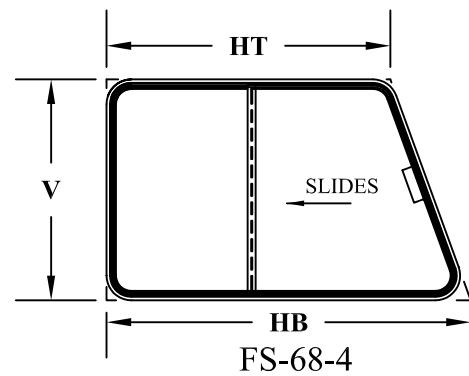
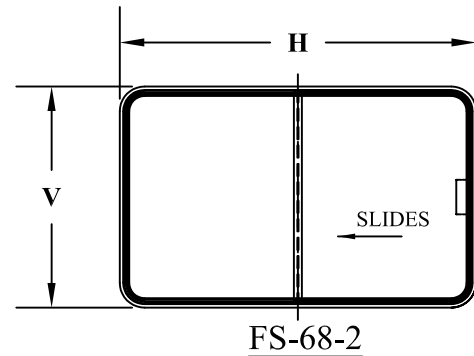
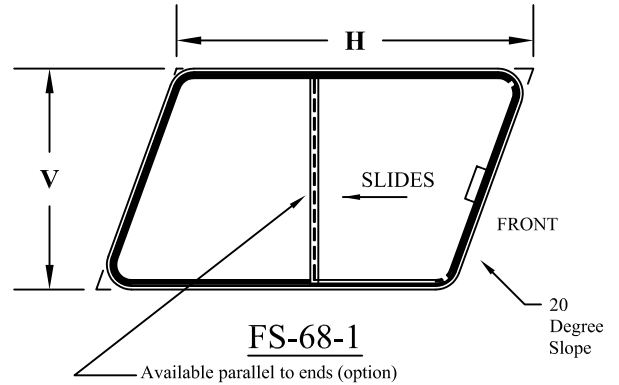
FRAME FINISH: Clear Anodized (STD)

CORNER RADIUS: 2.94" (STD)

LATCH: WP4 Squeeze Latch Assembly (STD)

EXTERIOR VIEW

R. H. SHOWN - L. H. OPPOSITE



Transportation Products, Inc.
P. O. Box 586
Evergreen, Al 36401

Phone: (251) 578-1267
Fax: (251) 578-5213
E-mail: tpi@tpiwindows.com

FS-68