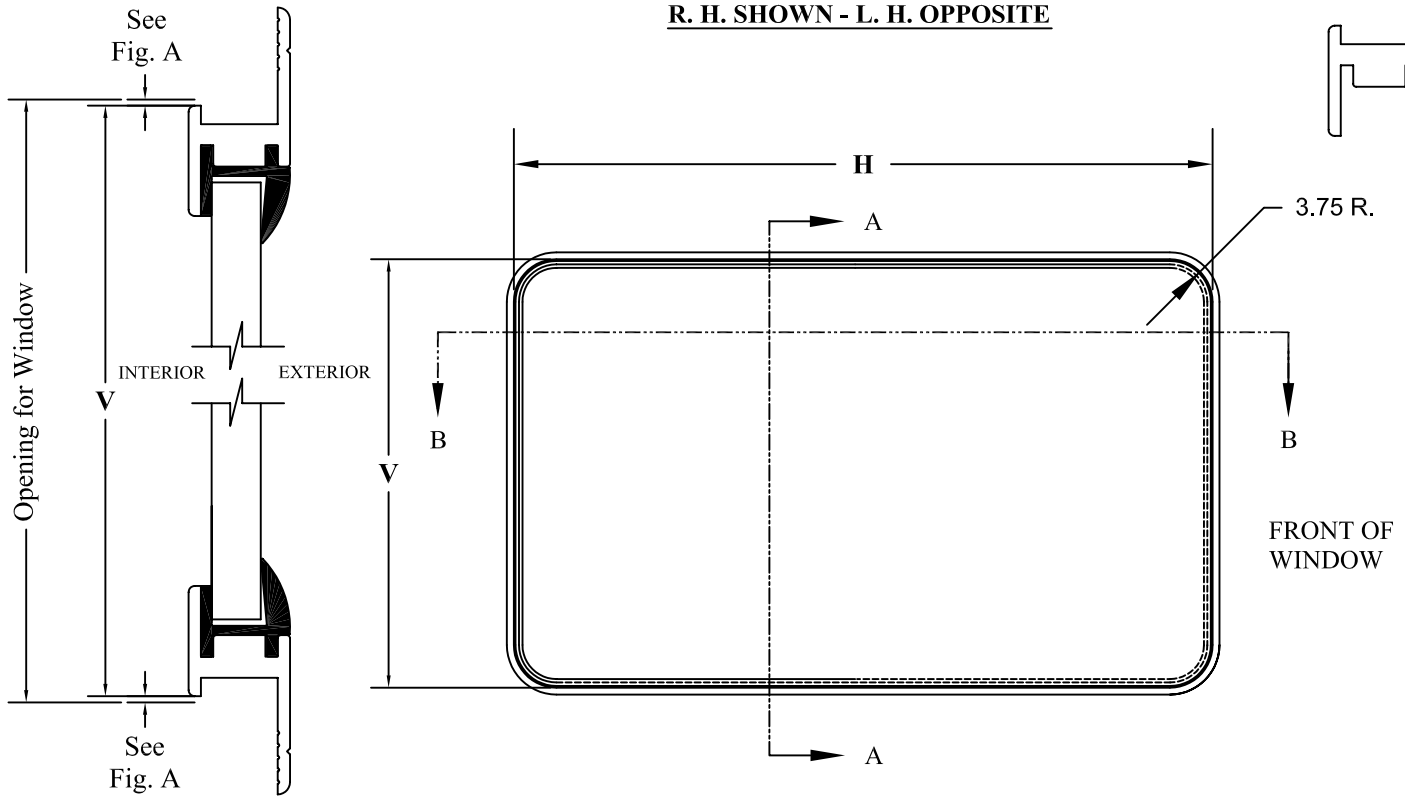


# FLANGE-MOUNTED FRAMED GLASS

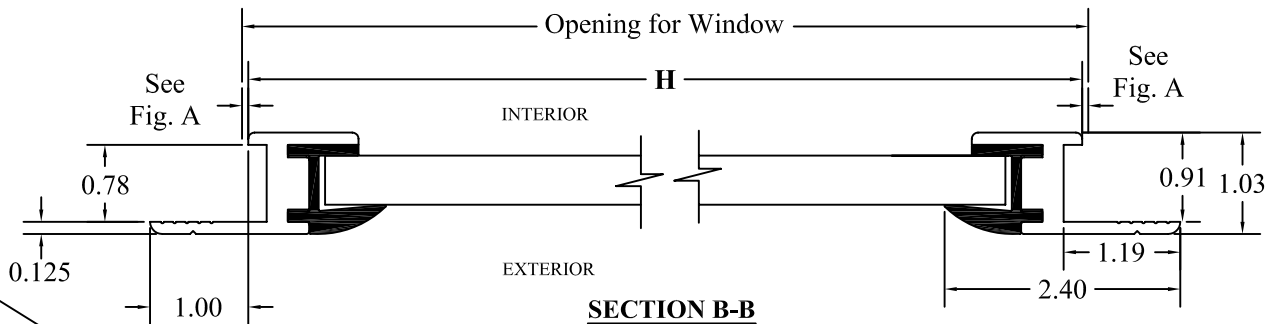
STATIONARY  
WINDOW

# FS-73

EXTERIOR VIEW  
R. H. SHOWN - L. H. OPPOSITE



SECTION A-A



SECTION B-B

KEY TO NUMBERED PARTS

- 2. Channel Glazing
- 5. Outer Frame
- 6. Vehicle Wall
- 7. Stationary glass

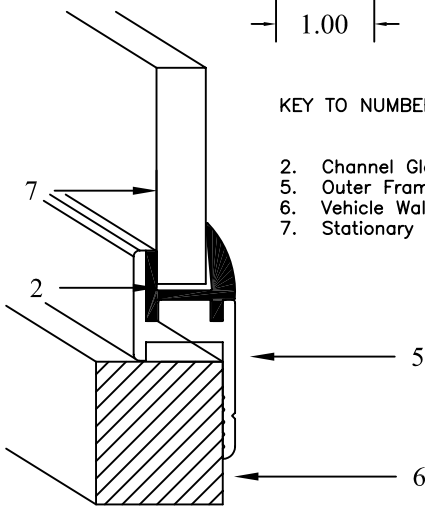
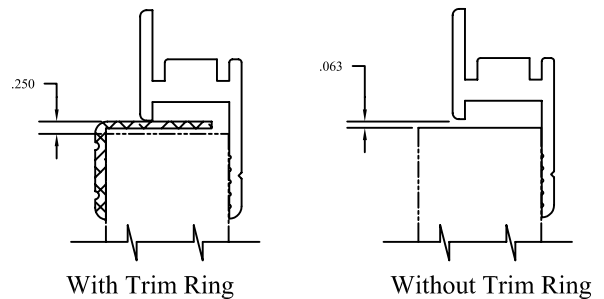


FIG. A  
WINDOW OPENING CLEARANCES  
Selection of optional interior trim ring requires additional allowance for window opening as shown.



Main window frame is bolted, screwed, or bonded to the vehicle body panel. Glass is cushioned in a durable vinyl glazing channel. Large stationary windows are available with or without a center mullion. This window can be manufactured in various shapes and sizes.

**ORDERING INFORMATION**

**GLAZING:** 1/2" Insulated Clear Tempered Safety Glass consisting of 1/8" Glass, 1/4" gap, and 1/8" Glass (STD)

**Options:**

Insulated Tempered Glass Light Green or Medium Gray Tint\*  
Other Glazings in thicknesses of .46" to .56" Available.

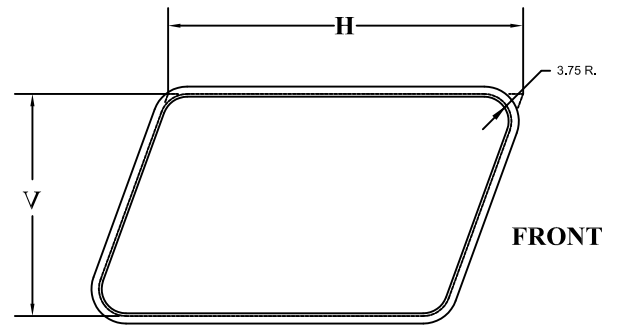
**FRAME FINISH:** Clear Anodized (STD)

**Option:** Flex Black Paint

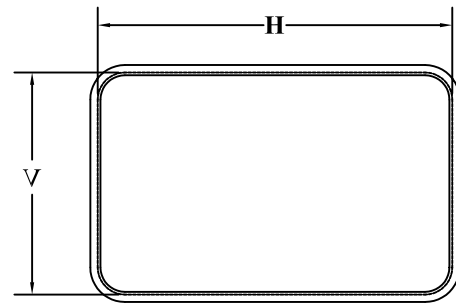
**CORNER RADIUS:** 3.75" (STD)

EXTERIOR VIEW

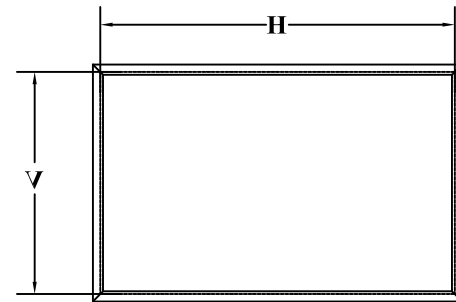
R. H. SHOWN - L. H. OPPOSITE



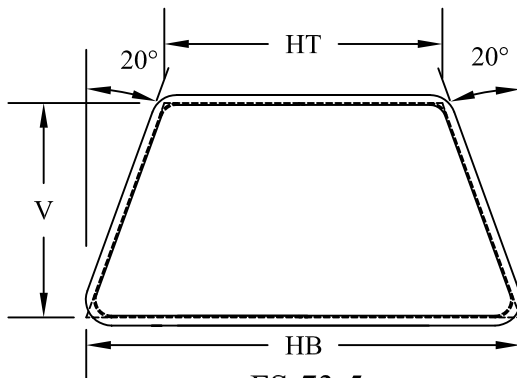
FS-73-1



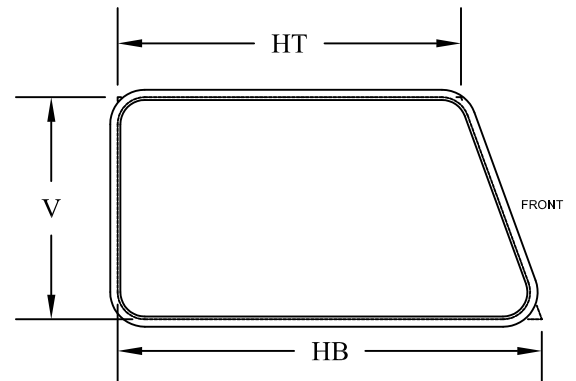
FS-73-2



FS-73-3



FS-73-5



FS-73-4